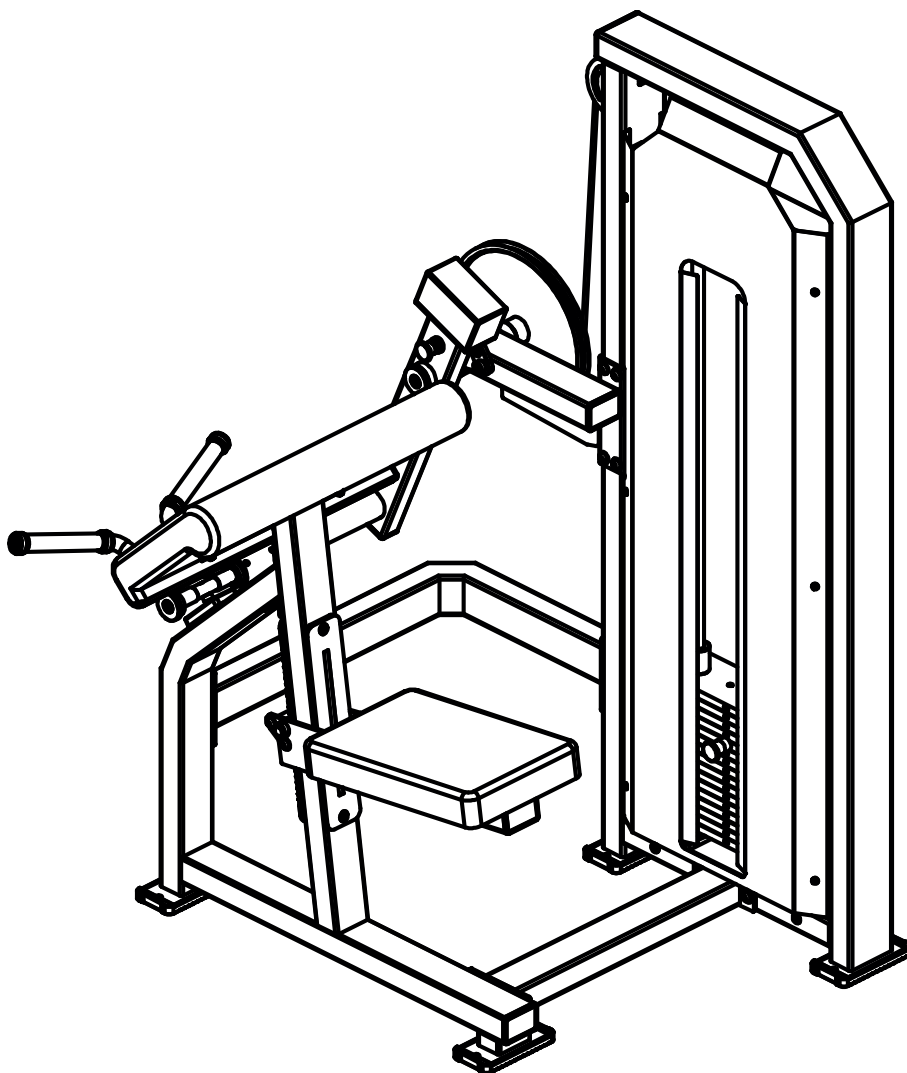
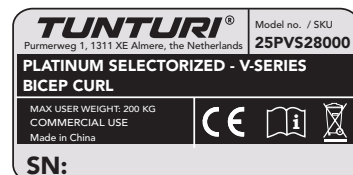


# TUNTURI®

## BICEPS MACHINE

### SELECTORIZED V SERIES



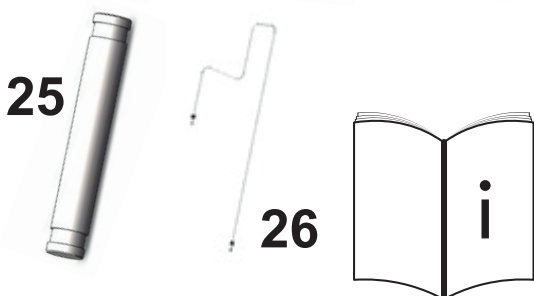
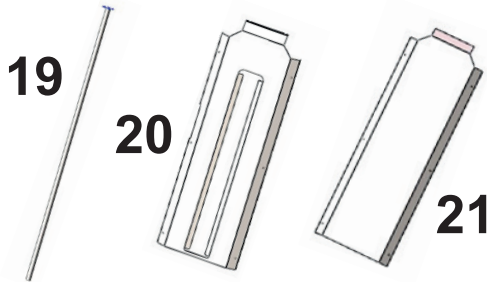
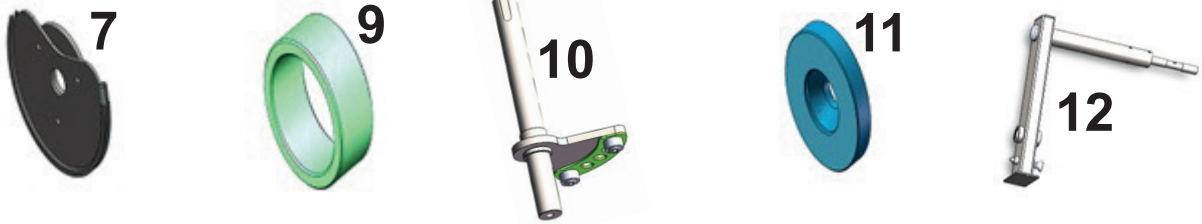
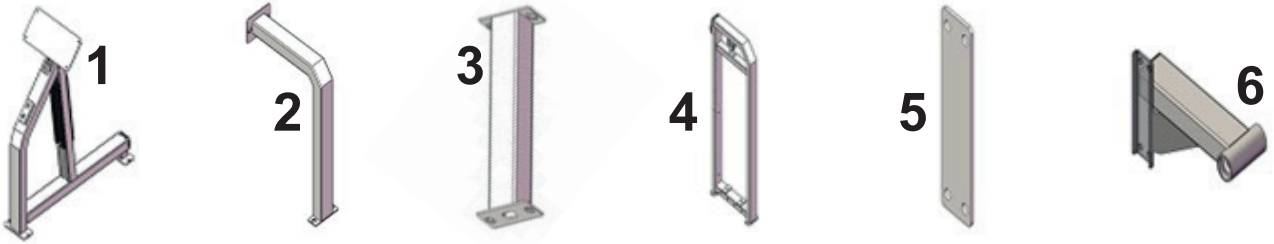
Attention, Achtung, Attention, Attentie, Attenzione, Atención, Giv akt, Huomio

- **Please read this user manual carefully prior to using this product.**
- Lesen Sie sich vor dem Gebrauch des Produkts diese Bedienungsanleitung sorgfältig durch.
- Veuillez lire attentivement le présent manuel de l'utilisateur avant d'utiliser ce produit.
- Lees deze gebruikershandleiding zorgvuldig voordat u dit product gaat gebruiken.
- Leggere attentamente questo manuale dell'utente prima di utilizzare il prodotto.
- Antes de utilizar este producto, lea atentamente este manual de usuario.
- Läs den här användarhandboken noggrant före användning av den här produkten.
- Lue tämä käyttöohje huolellisesti ennen tämän tuotteen käyttöä.



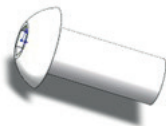


**B**





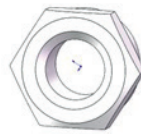
## C



**A** Flat head screw  
M10X25 \*8pcs



**B** Φ10 flat washer  
\*26pcs



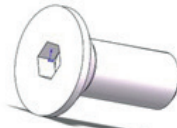
**C** M10 lock nut  
\*9pcs



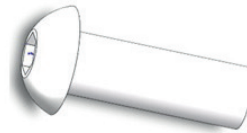
**D** Flat head screw  
M10X125 \*4pcs



**F** M10X35L-N3 Hexagon  
socket flat countersunk  
screw \*1pc



**G** M10X25 hexagon  
socket countersunk  
screw \*1pc



**H** Flat head screw  
M10X30 \*2pcs



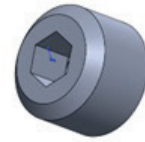
**J** 8X25 Ordinary  
flat key \*1pc



**K** Φ5 gasket \*16pcs



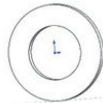
**L** M5 hexagon socket  
head screw \*16pcs



**M** M6X5 set screw  
\*2pcs



**N** Round head screw  
M8X25 \*4pcs



**O** Round head screw  
M8X25 \*4pcs



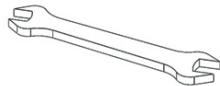
**P** Round head screw  
M8X70 \*2pcs



**R** Flat head screw  
M10X105 \*2pcs



**V** 3mm hexagon  
wrench

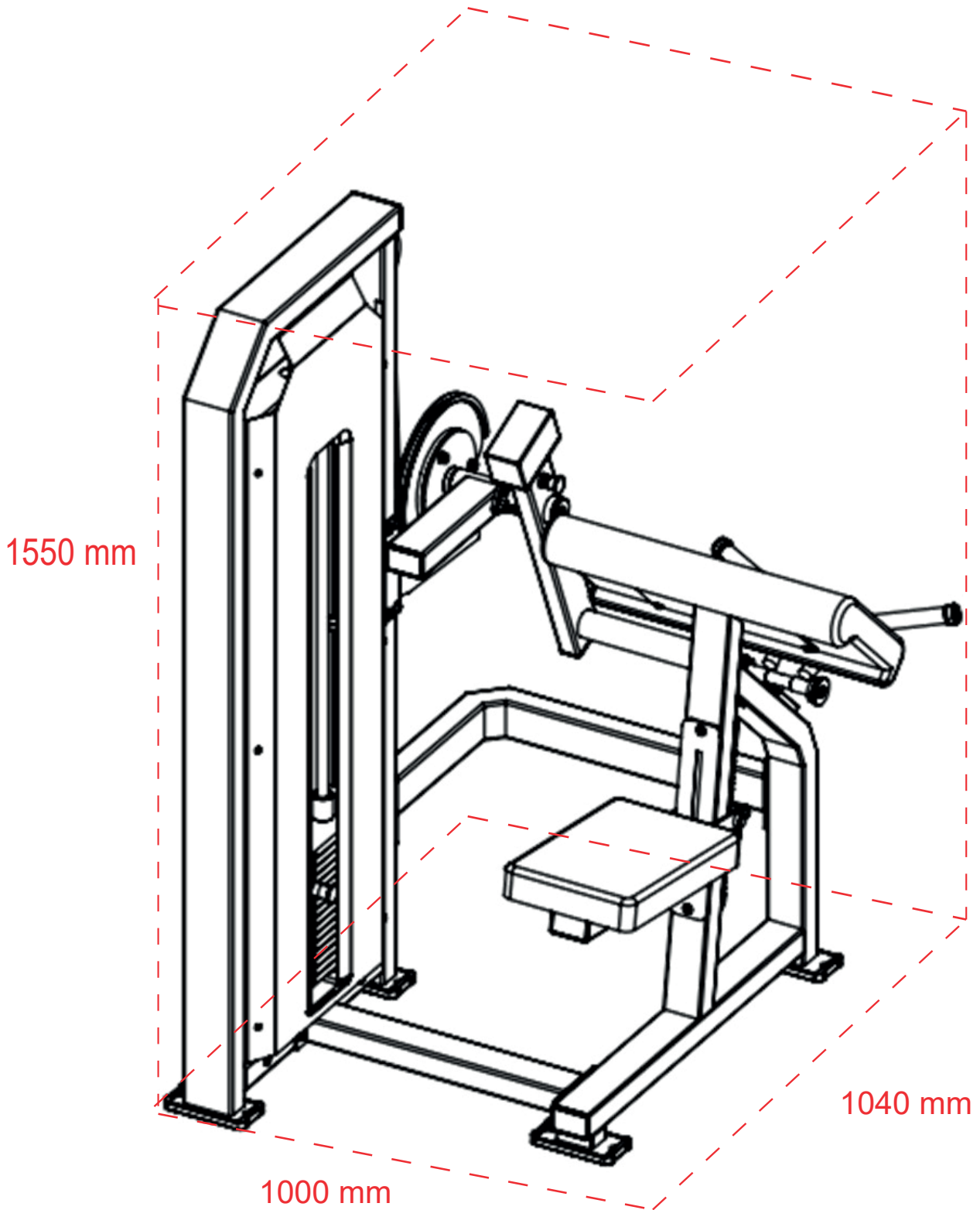


**W** 17-14 wrench



**Z** 6mm hexagon  
wrench

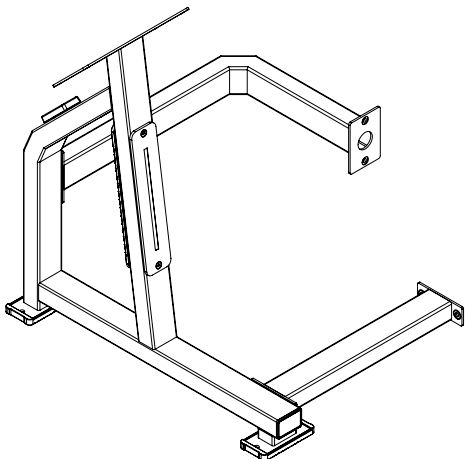
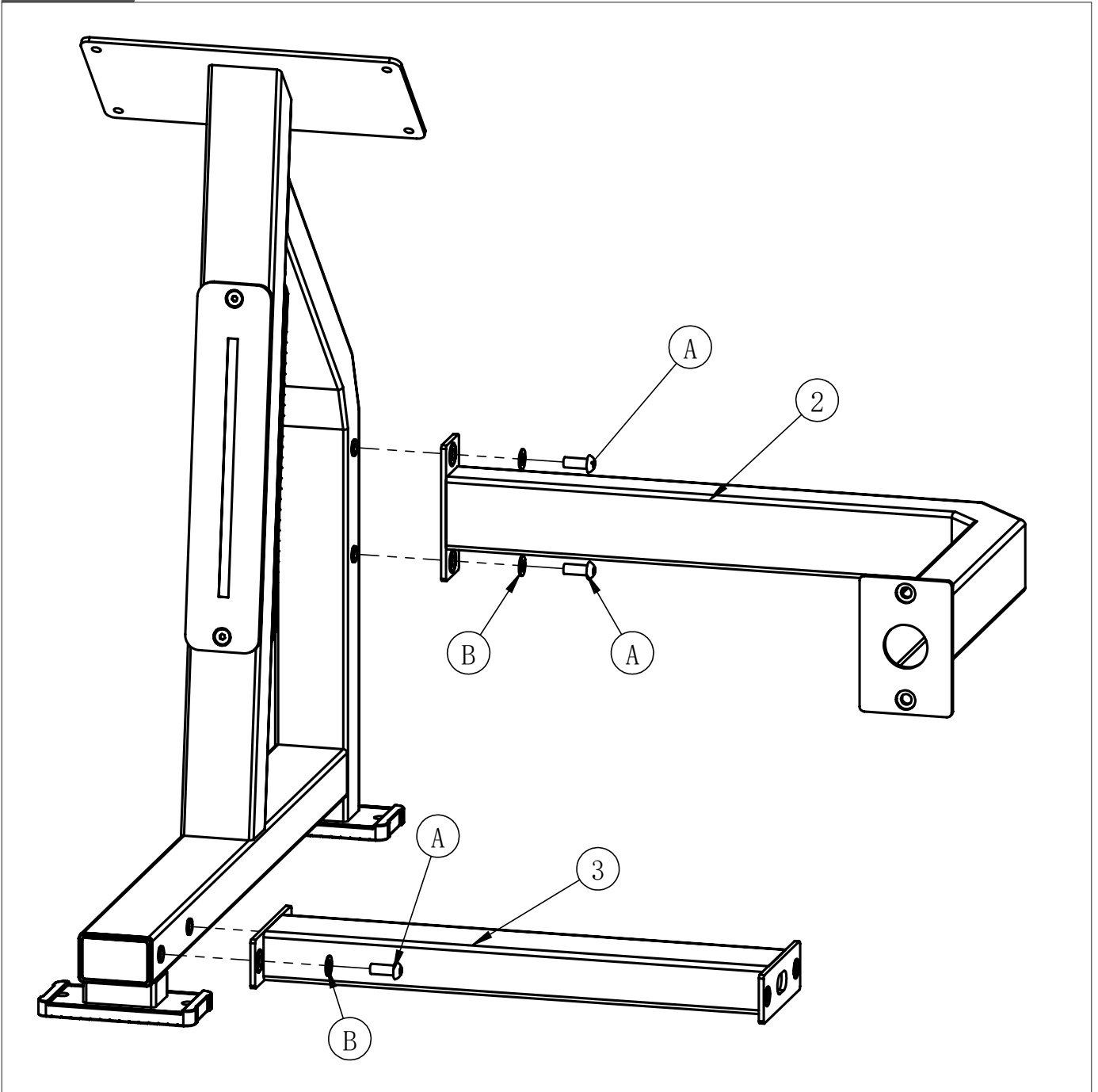
D-00





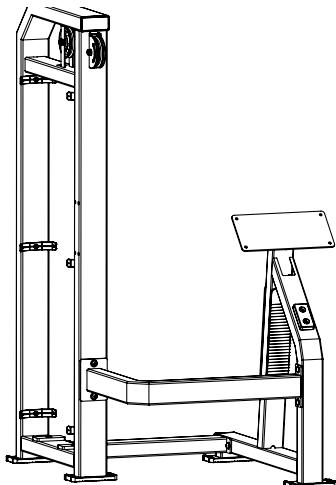
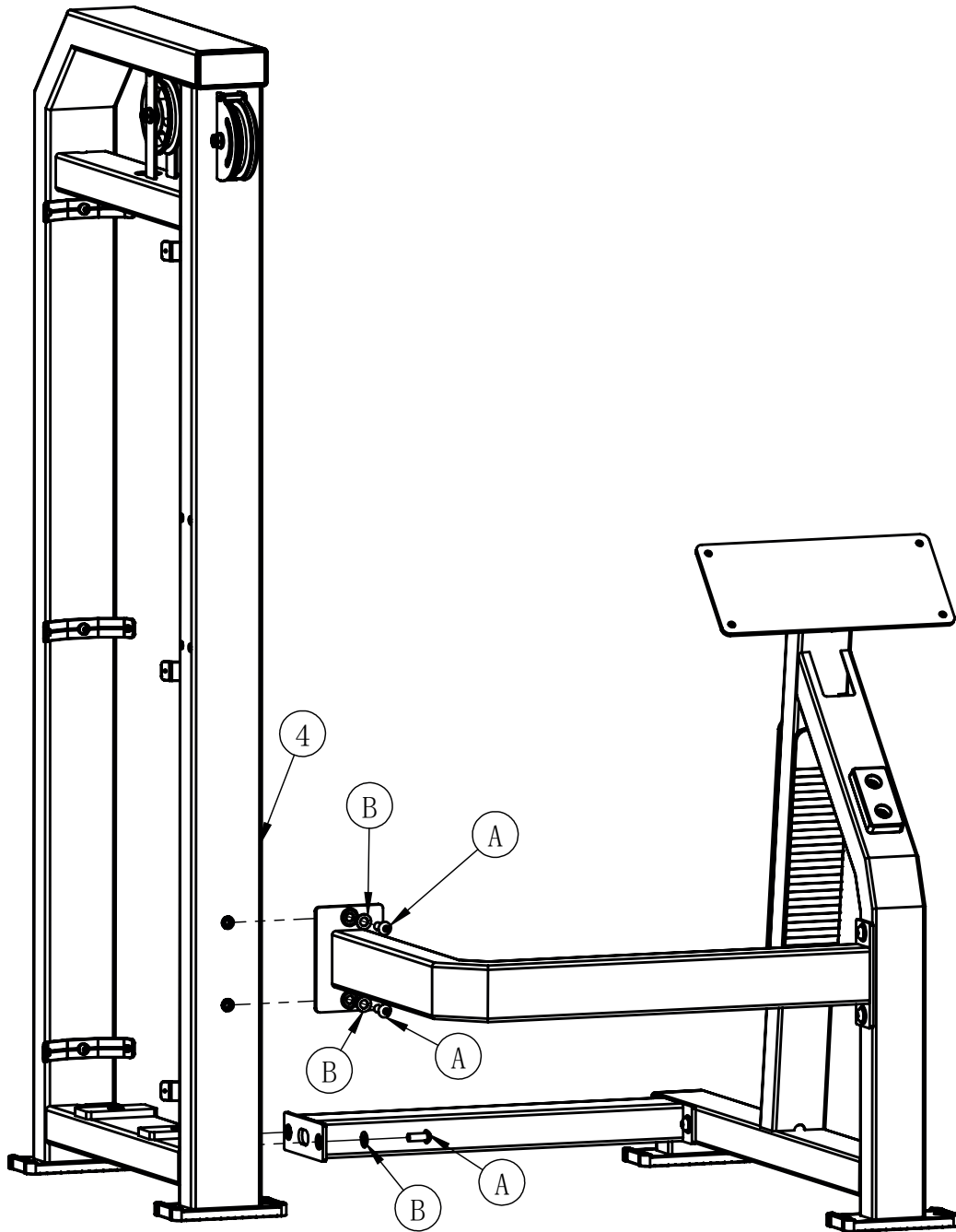
# Biceps Machine

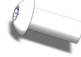











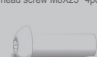

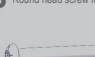
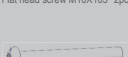



## D-1



<b>A</b> Flat head screw M10X25 *8pcs 	<b>B</b> $\Phi$ 10 flat washer *26pcs 	<b>C</b> M10 lock nut *9pcs 	<b>D</b> Flat head screw M10X125 *4pcs 
<b>E</b> Flat head screw M10X35 *3pcs 	<b>F</b> M10X35L-N3 Hexagon socket flat countersunk screw *1pc 	<b>G</b> M10X25 hexagon socket countersunk screw *1pc 	<b>H</b> Flat head screw M10X30 *2pcs 
<b>J</b> 8X25 Ordinary flat key *1pc 	<b>K</b> $\Phi$ 5 gasket *16pcs 	<b>L</b> M5 hexagon socket head screw *16pcs 	<b>M</b> M6X5 set screw *2pcs 
<b>N</b> Round head screw M8X25 *4pcs 	<b>O</b> $\Phi$ 8 flat washer *6pcs 	<b>P</b> Round head screw M8X70 *2pcs 	<b>Q</b> Flat head screw M10X105 *2pcs 
<b>W</b> 17-14 wrench 	<b>V</b> 3mm hexagon wrench 	<b>Z</b> 6mm hexagon wrench 	

D-2

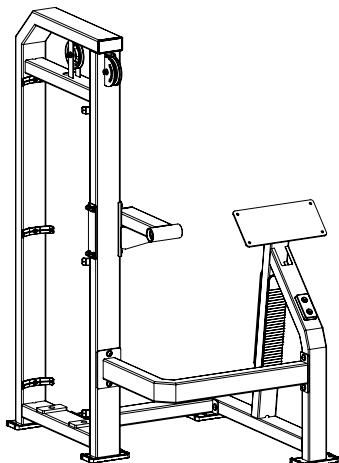
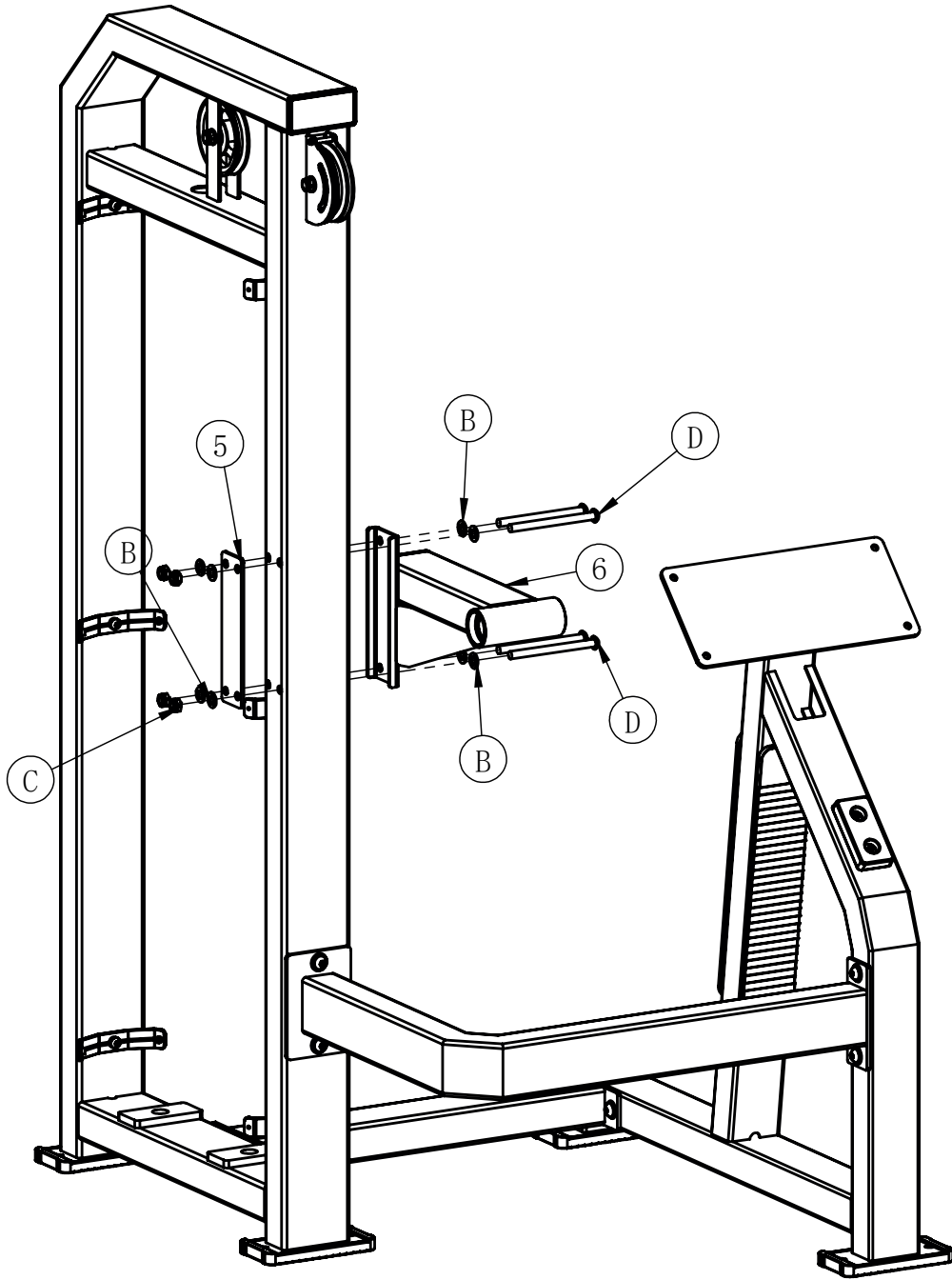


<b>A</b> Flat head screw M10X25 *8pcs 	<b>B</b> $\Phi$ 10 flat washer *26pcs 	<b>C</b> M10 lock nut *9pcs 	<b>D</b> Flat head screw M10X125 *4pcs 
<b>E</b> Flat head screw M10X35 *3pcs 	<b>F</b> M10X35L-N3 Hexagon socket flat countersunk screw *1pc 	<b>G</b> M10X25 hexagon socket countersunk screw *1pc 	<b>H</b> Flat head screw M10X30 *2pcs 
<b>J</b> 8X25 Ordinary flat key *1pc 	<b>K</b> $\Phi$ 6 gasket *16pcs 	<b>L</b> M5 hexagon socket head screw *16pcs 	<b>M</b> M6X5 set screw *2pcs 
<b>N</b> Round head screw M6X25 *4pcs 	<b>O</b> $\Phi$ 6 flat washer *6pcs 	<b>P</b> Round head screw M6X70 *2pcs 	<b>Q</b> Flat head screw M10X105 *2pcs 
<b>W</b> 17-14 wrench 	<b>V</b> 3mm hexagon wrench 	<b>Z</b> 6mm hexagon wrench 	



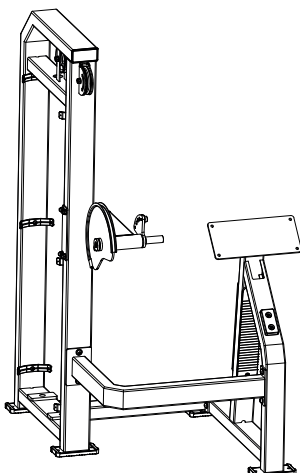
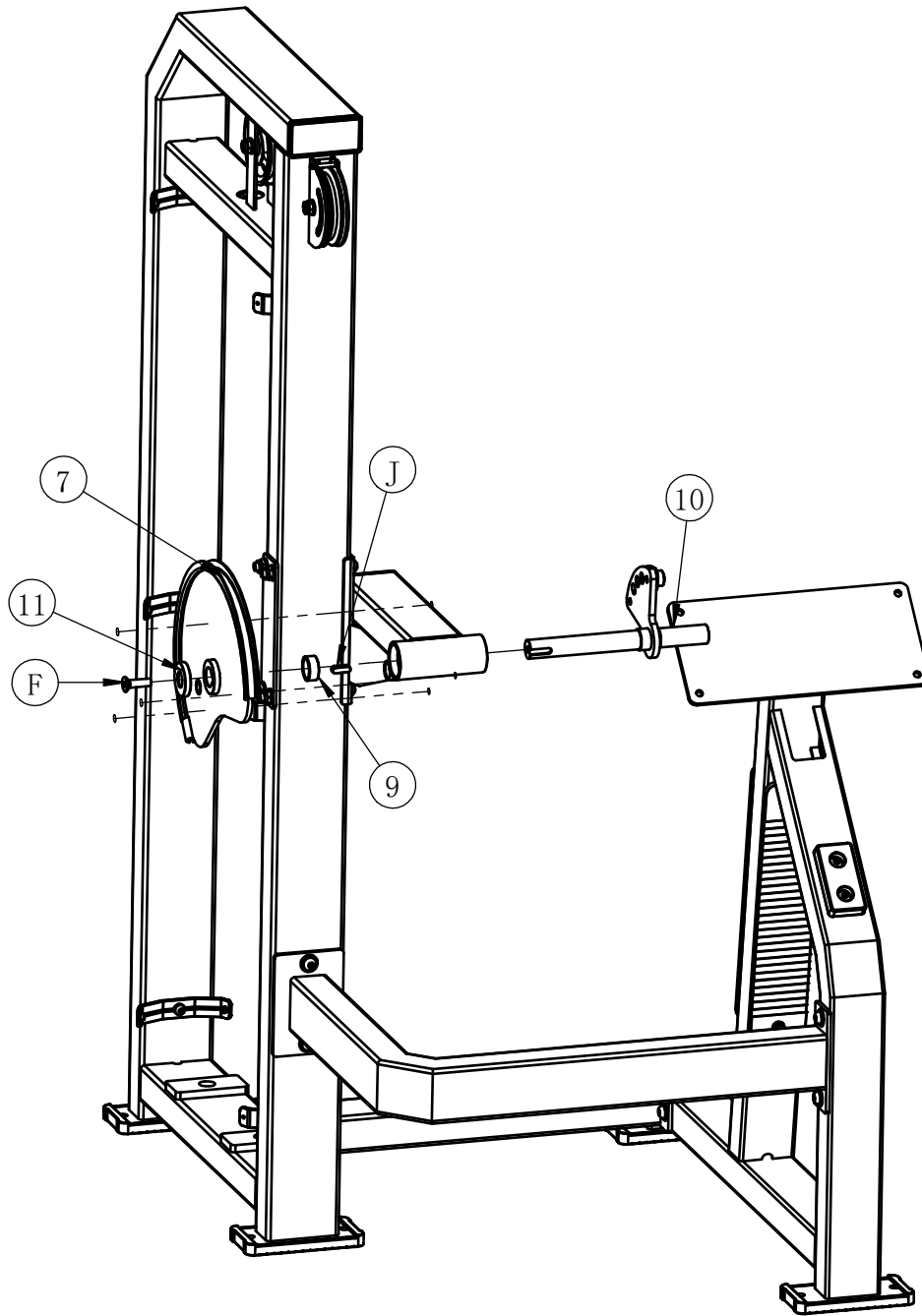
# Biceps Machine

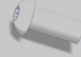





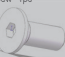












## D-3



<b>A</b> Flat head screw M10X25 *8pcs 	<b>B</b> Ø10 flat washer *26pcs 	<b>C</b> M10 lock nut *9pcs 	<b>D</b> Flat head screw M10X125 *4pcs 
<b>E</b> Flat head screw M10X35 *3pcs 	<b>F</b> M10X35L-N3 Hexagon socket flat countersunk screw *1pc 	<b>G</b> M10X25 hexagon socket countersunk screw *1pc 	<b>H</b> Flat head screw M10X30 *2pcs 
<b>J</b> 8X25 Ordinary flat key *1pc 	<b>K</b> Ø5 gasket *16pcs 	<b>L</b> M5 hexagon socket head screw *16pcs 	<b>M</b> M6X5 set screw *2pcs 
<b>N</b> Round head screw M8X25 *4pcs 	<b>O</b> Ø8 flat washer *6pcs 	<b>P</b> Round head screw M8X70 *2pcs 	<b>Q</b> Flat head screw M10X105 *2pcs 
<b>W</b> 17-14 wrench 	<b>V</b> 3mm hexagon wrench 	<b>Z</b> 6mm hexagon wrench 	

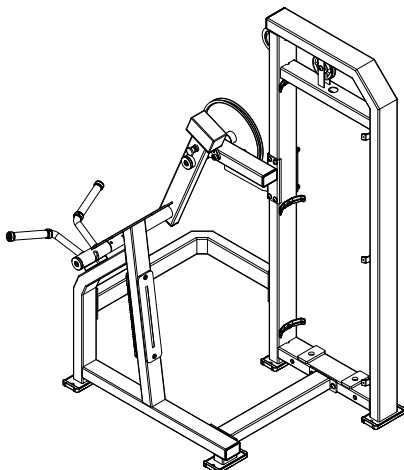
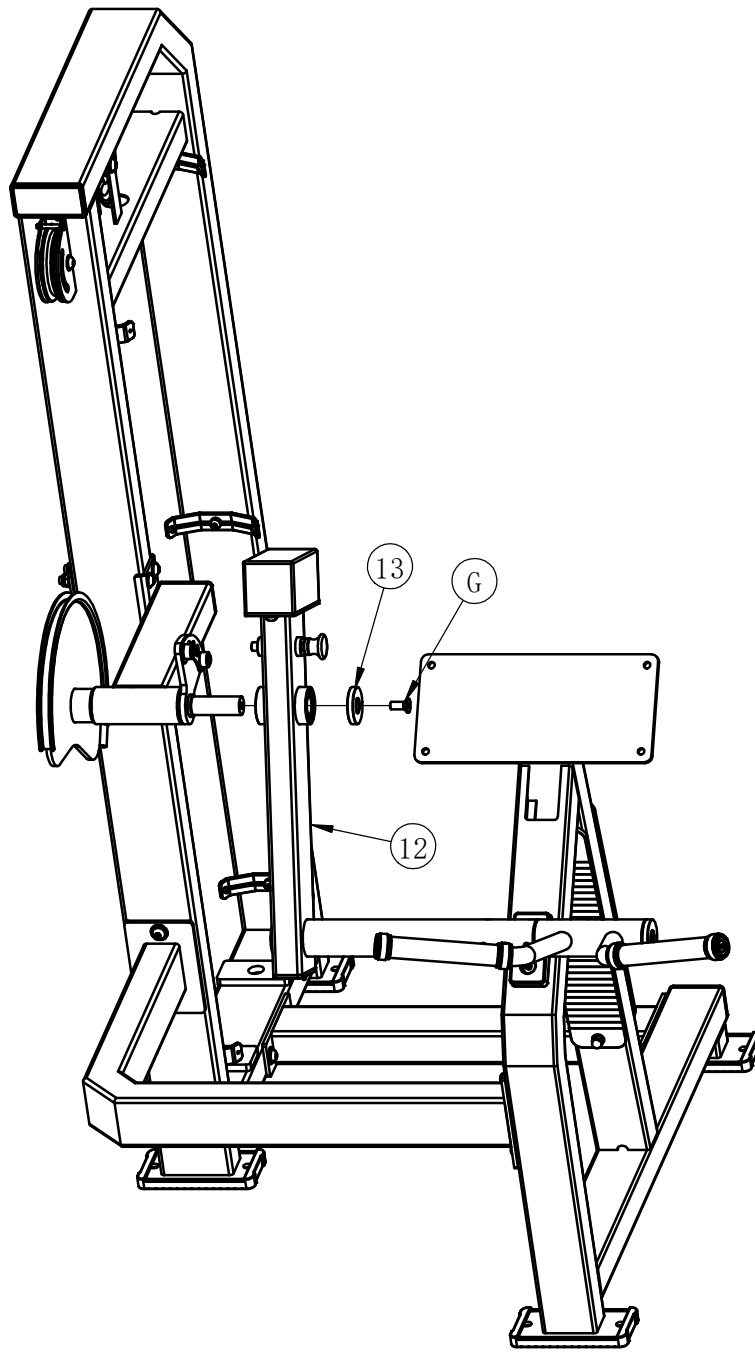
D-4



<b>A</b> Flat head screw M10X25 *8pcs 	<b>B</b> $\phi$ 10 flat washer *26pcs 	<b>C</b> M10 lock nut *9pcs 	<b>D</b> Flat head screw M10X125 *4pcs 
<b>E</b> Flat head screw M10X35 *3pcs 	<b>F</b> M10X35L-N3 Hexagon socket flat countersunk screw *1pc 	<b>G</b> M10X25 hexagon socket countersunk screw *1pc 	<b>H</b> Flat head screw M10X30 *2pcs 
<b>J</b> 8X25 Ordinary flat key *1pc 	<b>K</b> $\phi$ 5 gasket *16pcs 	<b>L</b> M6 hexagon socket head screw *16pcs 	<b>M</b> M6X5 set screw *2pcs 
<b>N</b> Round head screw M6X25 *4pcs 	<b>O</b> $\phi$ 8 flat washer *6pcs 	<b>P</b> Round head screw M6X70 *2pcs 	<b>Q</b> Flat head screw M10X105 *2pcs 
<b>W</b> 17-14 wrench 	<b>V</b> 3mm hexagon wrench 	<b>Z</b> 6mm hexagon wrench 	

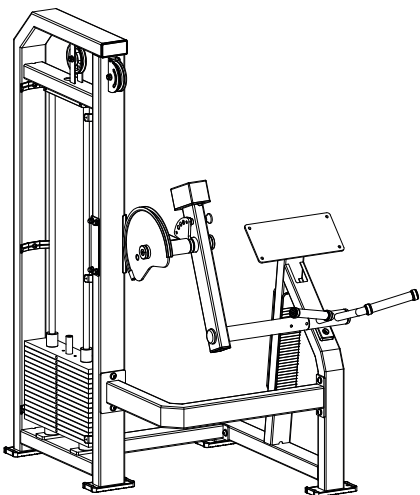
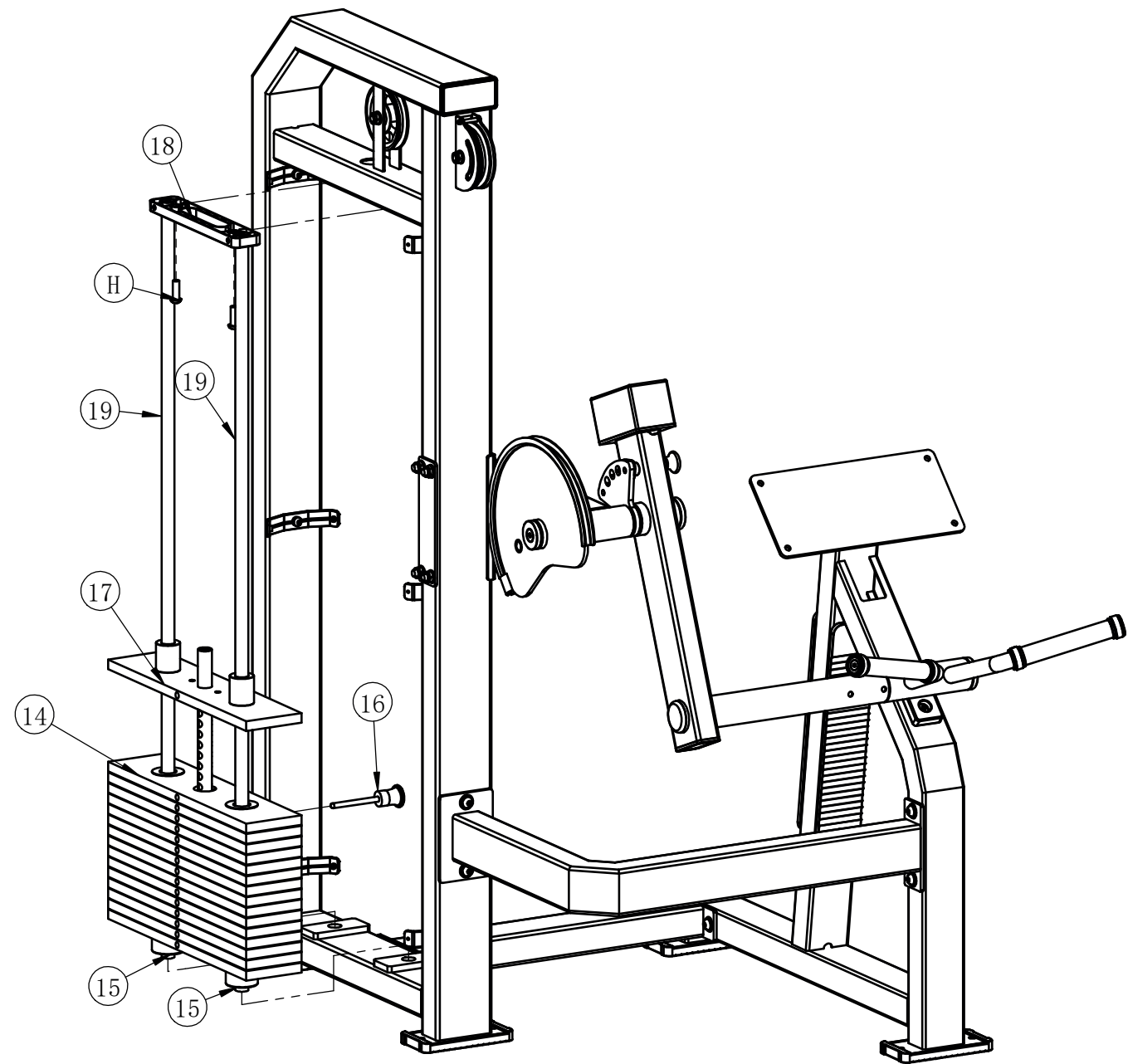


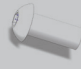

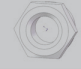









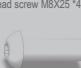


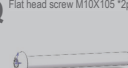



## D-5



<b>A</b> Flat head screw M10X25 *3pcs	<b>B</b> Ø10 flat washer *26pcs	<b>C</b> M10 lock nut *9pcs	<b>D</b> Flat head screw M10X125 *4pcs
<b>E</b> Flat head screw M10X35 *3pcs	<b>F</b> M10X35L-N3 Hexagon socket flat countersunk screw *1pc	<b>G</b> M10X25 hexagon socket countersunk screw *1pc	<b>H</b> Flat head screw M10X30 *2pcs
<b>J</b> 8X25 Ordinary flat key *1pc	<b>K</b> Ø5 gasket *16pcs	<b>L</b> M5 hexagon socket head screw *16pcs	<b>M</b> M6X5 set screw *2pcs
<b>N</b> Round head screw M8X25 *4pcs	<b>O</b> Ø8 flat washer *6pcs	<b>P</b> Round head screw M8X70 *2pcs	<b>Q</b> Flat head screw M10X105 *2pcs
<b>W</b> 17-14 wrench	<b>V</b> 3mm hexagon wrench	<b>Z</b> 6mm hexagon wrench	

D-6

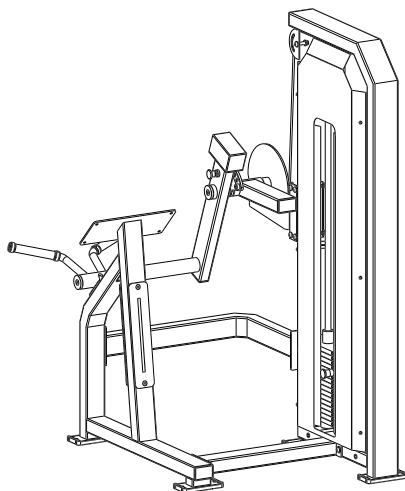
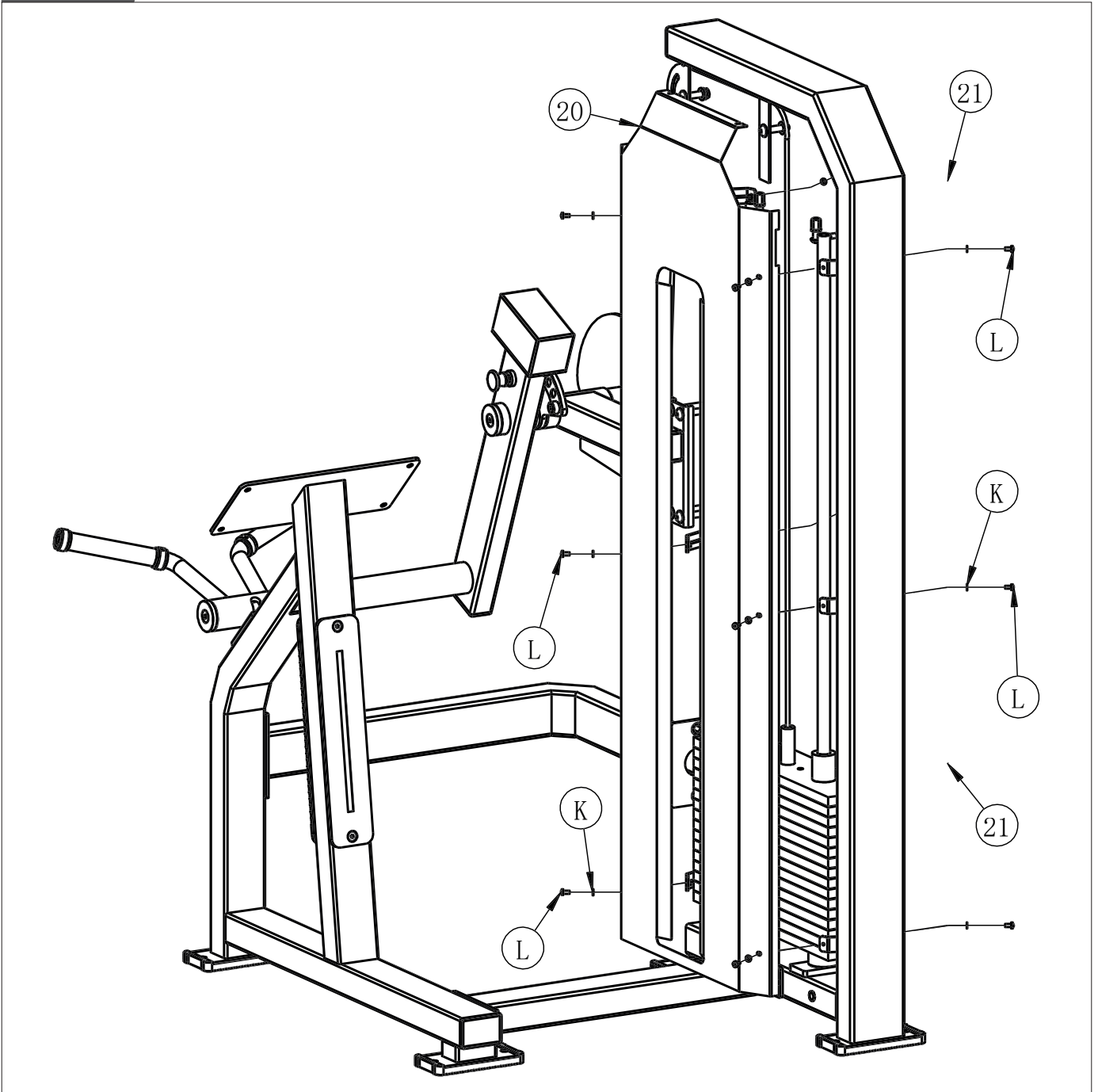


<b>A</b> Flat head screw M10X25 *8pcs 	<b>B</b> Ø10 flat washer *26pcs 	<b>C</b> M10 lock nut *9pcs 	<b>D</b> Flat head screw M10X125 *4pcs 
<b>E</b> Flat head screw M10X35 *3pcs 	<b>F</b> M10X35L-N3 Hexagon socket flat countersunk screw *1pc 	<b>G</b> M10X25 hexagon socket countersunk screw *1pc 	<b>H</b> Flat head screw M10X20 *2pcs 
<b>J</b> 8X25 Ordinary flat key *1pc 	<b>K</b> Ø5 gasket *16pcs 	<b>L</b> M5 hexagon socket head screw *16pcs 	<b>M</b> M6X5 set screw *2pcs 
<b>N</b> Round head screw M8X25 *4pcs 	<b>O</b> Ø8 flat washer *6pcs 	<b>P</b> Round head screw M8X70 *2pcs 	<b>Q</b> Flat head screw M10X105 *2pcs 
<b>W</b> 17-14 wrench 	<b>V</b> 3mm hexagon wrench 	<b>Z</b> 6mm hexagon wrench 	



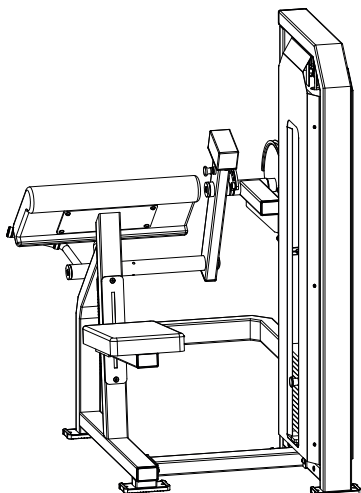
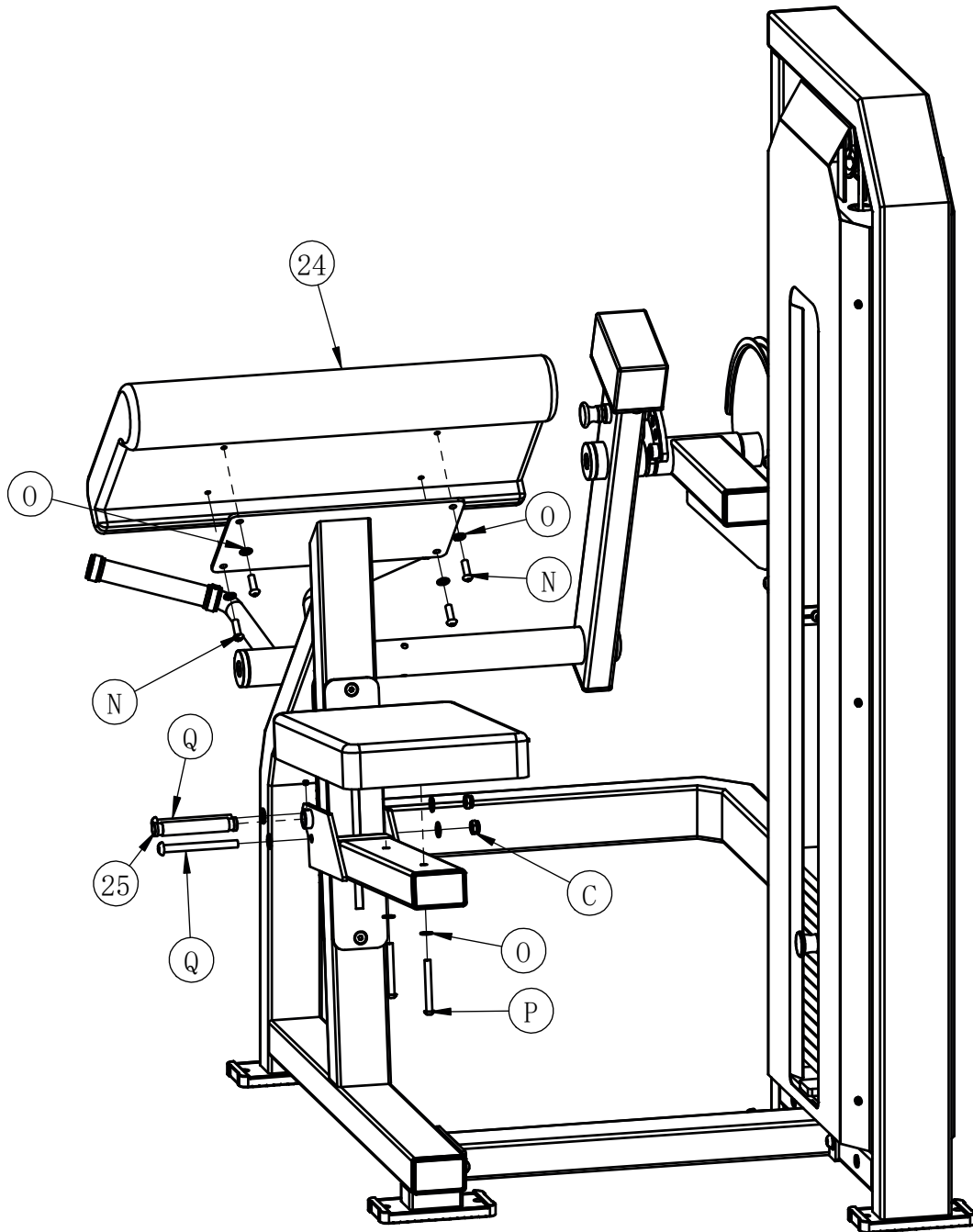
# Biceps Machine

## D-7



<b>A</b> Flat head screw M10X25 *8pcs	<b>B</b> $\phi$ 10 flat washer *26pcs	<b>C</b> M10 lock nut *9pcs	<b>D</b> Flat head screw M10X125 *4pcs
<b>E</b> Flat head screw M10X35 *3pcs	<b>F</b> M10X35L-N3 Hexagon socket flat countersunk screw *1pc	<b>G</b> M10X25 hexagon socket countersunk screw *1pc	<b>H</b> Flat head screw M10X30 *2pcs
<b>J</b> 8X25 Ordinary flat key *1pc	<b>K</b> $\phi$ 5 gasket *16pcs	<b>L</b> M5 hexagon socket head screw *16pcs	<b>M</b> M6X5 set screw *2pcs
<b>N</b> Round head screw M8X25 *4pcs	<b>O</b> $\phi$ 8 flat washer *6pcs	<b>P</b> Round head screw M8X70 *2pcs	<b>Q</b> Flat head screw M10X105 *2pcs
<b>W</b> 17-14 wrench	<b>V</b> 3mm hexagon wrench	<b>Z</b> 6mm hexagon wrench	

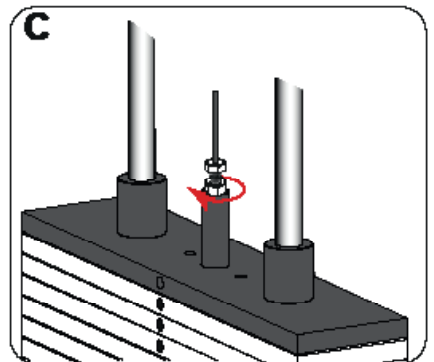
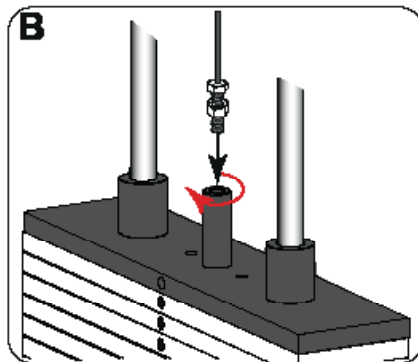
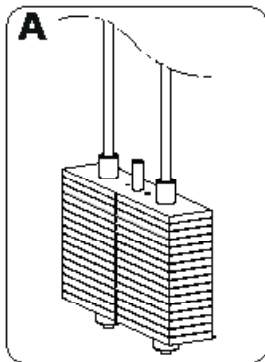
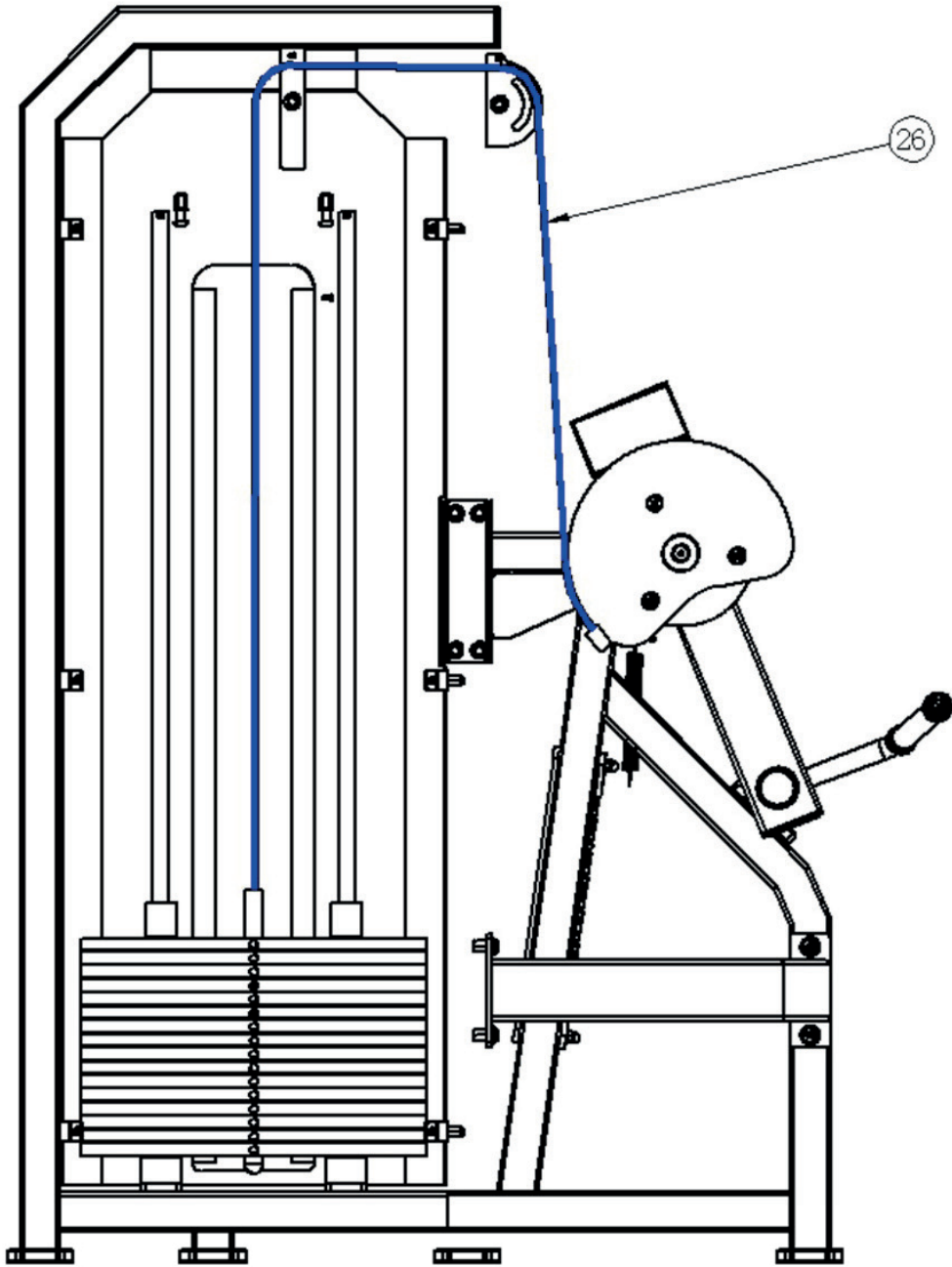
D-8



<b>A</b> Flat head screw M10X25 *8pcs	<b>B</b> Ø10 flat washer *26pcs	<b>C</b> M10 lock nut *9pcs	<b>D</b> Flat head screw M10X125 *4pcs
<b>E</b> Flat head screw M10X35 *3pcs	<b>F</b> M10X35L-N3 Hexagon socket flat countersunk screw *1pc	<b>G</b> M10X25 hexagon socket countersunk screw *1pc	<b>H</b> Flat head screw M10X30 *2pcs
<b>J</b> 8X25 Ordinary flat key *1pc	<b>K</b> Ø5 gasket *16pcs	<b>L</b> M5 hexagon socket head screw *16pcs	<b>M</b> M6X5 set screw *2pcs
<b>N</b> Round head screw M8X25 *4pcs	<b>O</b> Ø8 flat washer *6pcs	<b>P</b> Round head screw M8X70 *2pcs	<b>Q</b> Flat head screw M10X105 *2pcs
<b>W</b> 17-14 wrench	<b>V</b> 3mm hexagon wrench	<b>Z</b> 6mm hexagon wrench	



D-9



## Welcome

### Important Safety Instructions

This manual is an essential part of your training equipment please read all instructions in this manual before you start using this equipment. The following precautions must always be followed:

### Important safety notice

This exercise equipment is built for optimum safety. However, certain precautions apply whenever you operate a piece of exercise equipment. Be sure to read the entire manual before you assemble or operate your equipment. In particular, note the following safety precautions:

- Keep children and pets away from the equipment at all times. DO NOT leave children unattended in the same room with the equipment.
- Only one person at a time should use the equipment.
- If the user experiences dizziness, nausea, chest pain, or any other abnormal symptoms, STOP the workout at once. CONSULT A PHYSICIAN IMMEDIATELY. Position the equipment on a clear, levelled surface. DO NOT use the equipment near water or outdoors.
- Keep hands away from all moving parts.
- Always wear appropriate workout clothing when exercising. DO NOT wear robes or other clothing that could become caught in the equipment. Running or aerobic shoes are also required when using the equipment. Use the equipment only for its intended use as described in this manual. DO NOT use attachments not recommended by the manufacturer.
- Do not place any sharp object around the equipment.
- Disabled person should not use the equipment.
- Before using the equipment to exercise, always do stretching exercises to properly warm up.
- Never operate the equipment if the equipment is not functioning properly.

#### Warning:

Before beginning any exercise program, consult your physician. This is especially important for individuals over the age of 35 or persons with pre-existing health problems. Read all instructions before using any fitness equipment. Tunturi New fitness bv. assumes no responsibility for personal injury or property damage sustained by or through the use of this product.

### Save these instructions!

## Important assembly information

### Before you start

We recommend to use two adjustable wrenches to assemble your product. If you have metric sized wrenches in correct size this is fine too.

#### !! NOTE

- Suitable (adjustable) wrenches are "NOT" provided with the product, neither included in the assembly kit.
- It is strongly recommended that this equipment is assembled by two or more people to avoid possible injury.

#### !! NOTE

- Pay attention when unpacking, small parts can be hidden/ packed in hollow spaces used as the product protective materials.
- If a part is missing, contact your dealer.

### Description illustration C

The illustration shows the hardware kit that comes with your product. The hardware kit contains bolts, washers, screws, nuts etc. and the required tools to properly fit your trainer.

### Description illustration D

The illustrations shows you in the correct following order how to assemble your trainer best.

#### ⚠ WARNING

- Assemble the equipment in the given order.
- Carry and move the equipment with at least two persons.

#### ⚠ CAUTION

- Place the equipment on a firm, level surface.
- Place the equipment on a protective base to prevent damage to the floor surface.
- Refer to the illustrations for the correct assembly of the equipment.

### Additional assembly information for cable installation

Before installing the cables it is important:

- To de-tangle the cables fully.
- To avoid the cable from twisting during transiting over the pulley wheels.

#### ⚠ WARNING

- A twisted cable in the installation can result in separating the outer protective plastic coating from the inner steel cable.
- A twisted cable in the installation can result in the cables to entangle or mall malfunctioning of the weight plates return.

Before fixing the cable onto the selector shaft, all cables should be routed throughout the station first.

The locking nut must be turned up fully as well.

- Fit the threaded cable end into the selector shaft by turning it in clockwise direction as far as possible.
- Secure the fixation by turning the locking nut in clockwise direction firmly.

**⚠ WARNING**

- All cables with threaded adjustable ends must have at least 1/2" of the treads threaded in to its counter part. It is very important that the jam nut be wrenched tightened to the counter part to ensure that the threaded adjustable end of the cable does not back out of its counterpart.

**Correct cable tension**

The correct cable tension is where the weight stack returns smoothly, keeping a loose cable tension when weight stack is in rest position. There should be hardly a non tension moment when starting a workout using the weight stack as load.

**!! NOTE**

- When weight selector pin can not smoothly fix the required weight load because selector shaft is slightly lifted when selector pin is out, the cable tension should be loosened.

**!! NOTE**

- Due to normal wear of the cable it can stretch out slightly over time. Also the weight plate buffers can be compressed a little. Therefore readjusting the cable might be required after a period of use. This strongly depend on the usage, and total cable length.

**Free area (Fig. D-0)****Adequate space is a prerequisite for use.**

The free area should be no less than 100 cm greater than the \*training area in the directions from which the equipment is accessed. The free area must also include the area for emergency dismount. Where equipment is positioned adjacent to each other, the value of the free area may be shared.

\*Training area is the maximum length/width/ height of the trainer, including moving parts, been measured to its maximum length/ width/ height during use.

**IMPORTANT**

Because your trainer will/ can set in the first using hours, we recommend you do a quick check on the hardware you have fitted during your assembly.

We suggest tightening all bolts and nuts once again after the first few workout sessions (approximate 10 hours).

Just to assure the bolts and nuts are still tightened well for your trainer's best performance.

**!! NOTE**

- We recommend checking the hardware regularly, at least once every 3 months.

**Additional information****Packaging disposal**

Government guidelines ask that we reduce the amount of waste material disposed of in land fill sites. We therefore ask that you dispose of all packaging waste responsibly at public recycling centres.

**End of life disposal**

We at Tunturi hope you enjoy many years of enjoyable use from your fitness trainer. However, a Time will come when your fitness trainer will come to the end of its useful life. Under 'European WEEE Legislation you are responsible for the appropriate disposal of your fitness trainer to a recognised public collection facility.

**Operation notes****Weight Plate Selection**

- Use the Weight Selector Pin to select the number of weight plates to exercise.
- Do not insert weight selector pin while the weight stack or top plate is in elevated position.
- Be certain the weight Selector Pin is completely inserted.
- Please refer to Weight Resistance Chart page.
- Never use dumbbells or other means to increase the weight resistance. Use only weight plates provided by manufacturer.
- For safety purpose while the equipment is not in use. Insert the Lock Pin into the hole on Guide Rod, to prevent the movement of Weight Plates.

**Exercise guidelines****Building Muscle and Gaining Weight**

Unlike aerobic exercise, which emphasizes endurance training, anaerobic exercise focuses on strength training. A gradual weight gain can occur while building the size and strength of muscles. While developing muscle mass, your body adapts to the stress placed upon it. You can modify your diet to include foods such as meat, fish and vegetables.

These foods help muscles recover and replenish important nutrients after a strenuous workout.

**Muscle Strength and Endurance**

To achieve the greatest benefit from exercise, it is important to develop an exercise program that allows you to work all of the major muscle groups equally.

To increase muscles strength; follow this principle:

Increasing resistance and maintaining the number of repetitions of an exercise results in increased muscle strength.

To tone your body, follow the principle: Decreasing resistance plus increasing the number of repetitions of an exercise results in increased body tone.

Once you feel comfortable with an exercise, you can change the resistance, the number of repetitions, or the speed at which you do the exercise. It is not necessary to change all three variables. For example, let's say that you are training at 10 kg. and performing the exercise 10 times in 3 minutes. When this becomes too easy, you may decide to move up lifting 12 kg. for the same number of repetitions in the same amount of time. Lifting more weights fewer times most often develops muscle strength. To gain both muscle strength and endurance, it is recommended that you perform each exercise 15 to 20 reps per set.

**Training Intensity**

How hard you begin to train depends on your overall level of fitness. The soreness you experienced can be lessened by decreasing the load you place on your muscles and by performing fewer sets.

To avoid injury, you should gradually work into an exercise program and set the load to your individual fitness level. The load should increase as your fitness level increases.

Muscle soreness is common, especially when you first start exercising. If you are painfully sore for a long time, it may be time to change your program. Eventually, your muscle system will become accustomed to the stress and strain placed on it

## **Beginning a Strength Building Program**

### **Warming Up**

To begin strength training, it is important to stretch and perform light exercise for 5 to 10 minutes. This helps prepare the body for more strenuous exercise by increasing circulation, raising your body temperature and developing more oxygen to your muscles.

### **Workout**

Each workout to keep in mind that muscle soreness that lasts for a long period is not desirable and may mean that injury has occurred.

### **Cool Down**

At the end of each workout, perform slow stretching exercises for 5 to 10 minutes. Ease into each stretch only going as far as you can. This stage allows your muscles wind down after training.

To provide a total workout program it is also recommended that 2 to 3 days of aerobic exercise is performed in addition to the strength training.

### **Drinking Water**

For the body to function properly, it must be properly hydrated. If you are exercising, you should increase your fluid intake. The reason for this is that the water you take in will leave your system through the sweating mechanism that cools your body during exercise. The water you lose through exercise must be replaced so that the muscles can recover properly.

### **Rest Day**

Although you may not feel like doing it, taking a rest day at least once a week is important because it gives your body a chance to heal itself. Continuously working your muscle will result in over training which will not benefit in the long run.

## **Cleaning and maintenance**

- Lubricate moving parts with WD-40 or light oil periodically.
- Inspect and tighten all parts before using the equipment.
- The equipment can be cleaned using a damp cloth and mild non-abrasive detergent. DO NOT use solvents.
- Examine the equipment regularly for signs of damages or wear.
- Replace any defective components immediately and/or keep the equipment out of use until repair.
- Failure to examine regularly may affect the safety level of the equipment.

### **Defects and malfunctions**

Despite continuous quality control, defects and malfunctions caused by individual parts can occur in the equipment. In most cases, it will be sufficient to replace the defective part.

- If the equipment does not function properly, immediately contact the dealer.
- Provide the model number and the serial number of the equipment to the dealer. State the nature of the problem, conditions of use and purchase date.

Further contact information or user manuals in other languages can be found on our website.

## **Warranty**

### **Tunturi purchaser's warranty**

#### **Warranty terms**

The consumer is entitled to the applicable legal rights stated in the national legislation concerning the commerce of consumer goods. This warranty does not restrict these rights. The Purchaser's Warranty is only valid if the item is used in an environment approved by Tunturi New Fitness BV, and is maintained as instructed for that particular equipment. The product-specific approved environment and maintenance instructions are stated in the "user manual" of the product. The "user manual" can be downloaded from our website. <http://manuals.tunturi.com>

#### **Limited warranty**

Tunturi New Fitness warrants this product to be free from defects in workmanship and material, under normal use and service conditions, for a period of two years on the frame and one year on all other parts and components from the date of purchase. This warranty extends only to the original purchaser. Tunturi New Fitness's obligation under this Warranty is limited to replacing damaged or faulty parts at Tunturi New Fitness's option.

All returns must be pre-authorized by Tunturi New Fitness. This warranty does not extend to any product or damage to a product caused by or attributable to freight damage, abuse, misuse, improper or abnormal usage, purchasers own repairs or for products used for commercial or rental purposes. No other warranty beyond that specifically set forth above is authorised by Tunturi New Fitness.

Tunturi New Fitness is not responsible or liable for indirect, special or consequential damages arising out of or in connection with the use or performance of the product or other damages with respect to any economic loss, loss of property, loss of revenues or profits, loss of enjoyments or use, costs of removal, installation or other consequential damages or whatsoever natures.

The warranty extended hereunder is in lieu of any and all other warranties and any implied warranties of merchantability or fitness for a particular purpose is limited in its scope and duration to the terms set forth herein.

#### **Your statutory rights are not affected.**

### **Disclaimer**

© 2025 Tunturi New Fitness BV

All rights reserved.

- The product and the manual are subject to change.
- Specifications can be changed without further notice.
- Check our website for the latest user manual version.



## Deutsch

Diese deutsche Bedienungsanleitung ist eine Übersetzung des englischen Textes. Es können keine Rechte auf diese Übersetzung abgeleitet werden.

## Willkommen

### Wichtige sicherheitshinweise

Diese Anleitung ist ein unerlässlicher Teil Ihres Trainingsgeräts: Lesen Sie alle Anweisungen in diesem Handbuch durch, bevor Sie dieses Gerät verwenden. Die folgenden Vorsichtsmaßnahmen müssen immer befolgt werden.

### Wichtiger Sicherheitshinweis

Das Trainingsgerät ist für optimale Sicherheit konstruiert. Jedoch gelten bestimmte Vorsichtsmaßnahmen, wenn Sie ein Trainingsgerät betreiben. Lesen Sie das gesamte Handbuch durch, bevor Sie das Gerät montieren oder betreiben. Beachten Sie insbesondere die folgende Sicherheitsmaßnahmen:

- Halten Sie Kinder und Haustiere immer vom Gerät fern. Lassen Sie Kinder NICHT unbeaufsichtigt mit dem Gerät in einem Raum.
- Das Gerät darf nur jeweils von einer Person gleichzeitig verwendet werden.
- Wenn sich Schwindel, Übelkeit, Brustschmerzen oder andere abnorme Symptome beim Benutzer einstellen, sollte das Training sofort beendet werden. SUCHEN SIE SOFORT EINEN ARZT AUF.
- Stellen Sie das Gerät auf eine saubere, ebene Fläche. Verwenden Sie das Gerät NICHT in der Nähe von Wasser oder im Freien.
- Halten Sie die Hände von beweglichen Teilen fern.  
Tragen Sie während des Trainings immer geeignete Sportkleidung. Tragen Sie keine langen Röcke oder andere Kleidung, die sich im Gerät verfangen kann. Tragen Sie bei Verwendung des Geräts Lauf- oder Aerobic-Schuhe.
- Verwenden Sie das Gerät nur für den beabsichtigten Gebrauch wie in diesem Handbuch beschrieben. Verwenden Sie keine Anbauteile, die NICHT vom Hersteller empfohlen sind.
- Stellen Sie keine spitzen Gegenstände rund um das Gerät auf.
- Behinderte Personen dürfen das Gerät nicht ohne Beaufsichtigung durch eine qualifizierte Person oder einen Arzt benutzen.
- Machen Sie vor Verwendung des Geräts immer Deh-nübungen, um sich aufzuwärmen.
- 11. Verwenden Sie das Gerät nicht, wenn es nicht richtig funktioniert.
- Für das Training wird ein Helfer empfohlen.
- Stecken Sie den Gewichtsauswahlstift nicht hinein, während sich der Gewichtsstapel oder die obere Platte in einer erhöhten Position befinden.
- Achten Sie darauf, dass der Auswahlstift vollständig hineingesteckt ist.

#### Warnung:

Ziehen sie vor Durchführung eines Übungsprogramms ihren Arzt zu rate. dies gilt insbesondere für Personen über 35 Jahre oder für Personen mit bestehenden gesundheitlichen Problemen.

lesen sie vor Verwendung von Fitnessgeräten die gesamte Anleitung durch.

Tunturi New Fitness bv übernimmt keine Verantwortung für Verletzungen oder Sachschäden, die durch dieses Produkt oder durch Verwendung dieses Produkts entstehen.

**Bewahren sie diese Anleitung auf!**

## Wichtige Montageinformationen

### Das sollten Sie vor Beginn wissen

Wir empfehlen die Verwendung von zwei verstellbaren Schraubenschlüsseln für die Montage Ihres Produkts. Wenn Sie metrische Schraubenschlüssel in der richtigen Größe haben, ist das auch in Ordnung.

#### !! HINWEIS

- Geeignete (verstellbare) Schraubenschlüssel werden "NICHT" mit dem Produkt geliefert und sind auch nicht im Montagesatz enthalten.
- Dieses Gerät sollte unbedingt von mindestens zwei Personen montiert werden, um Verletzungen zu vermeiden.

### Beschreibung Abbildung A

Die Abbildung zeigt, wie das Gerät nach der Montage aussehen wird. Sie können diese bei der Montage als Referenz verwenden, befolgen Sie die Montageschritte aber immer in der richtigen Reihenfolge, wie in den Abbildungen gezeigt.

### Beschreibung Abbildung B

Die Abbildung zeigt, welche Komponenten und Teile in der Lieferung enthalten sein sollen.

#### !! HINWEIS

- Achten Sie beim Auspacken darauf, kleinteile können in Hohlräumen versteckt/verpackt werden, die als Schutzmaterial für das Produkt dienen.
- Fehlt ein Teil, wenden Sie sich an Ihren Händler.

### Beschreibung Abbildung C

Die Abbildung zeigt den Zubehörsatz, der mit Ihrem Produkt geliefert wird.

Er enthält Schrauben, Unterlegscheiben, Muttern usw. sowie die erforderlichen Werkzeuge zur ordnungsgemäßen Montage Ihres Trainers.

### Beschreibung Abbildung D

Die Abbildungen zeigen Ihnen in der richtigen Reihenfolge, wie Sie Ihren Trainer am besten montieren.

#### ⚠️ WARNUNG

- Bauen Sie das Gerät in der angegebenen Reihenfolge zusammen.
- Tragen und bewegen Sie das Gerät mit mindestens zwei Personen.

#### ⚠️ VORSICHT

- Stellen Sie das Gerät auf festen, ebenen Boden.
- Stellen Sie das Gerät auf eine schützende Unterlage, um Schäden am Bodenbelag zu vermeiden.
- Der richtige Zusammenbau des Geräts geht aus den Abbildungen hervor.

### Zusätzliche Montagehinweise für Kabelmontage

Vor der Montage der Kabel ist wichtig:

- Die Kabel vollständig abzurollen.
- Um ein Verdrehen des Kabels beim Überfahren der Umlenkrollen zu vermeiden.

**⚠️ WARNUNG**

- Ein verdrehtes Kabel in der Anlage kann dazu führen, dass sich der äußere Kunststoffschutzmantel vom inneren Stahlkabel löst.
- Ein verdrehtes Kabel in der Anlage kann dazu führen, dass sich die Kabel verknoten oder es zu Fehlfunktionen der Gewichtsplatten kommt.

Bevor Sie das Kabel an der Schaltwelle befestigen, sollten Sie zunächst alle Kabel in der Station verlegen. Die Sicherungsmutter muss ebenfalls ganz hochgedreht werden.

- Stecken Sie das Kabelende mit dem Gewinde in die Schaltwelle, indem Sie es so weit wie möglich im Uhrzeigersinn drehen.
- Sichern Sie die Befestigung, indem Sie die Sicherungsmutter fest im Uhrzeigersinn drehen.

**⚠️ WARNUNG**

- Bei allen Kabeln mit einstellbaren Gewindeenden müssen mindestens 15 mm (1/2") der Gewinde in das Gegenstück eingeschraubt werden.  
Es ist sehr wichtig, dass die Kontermutter fest auf das Gegenstück aufgeschraubt wird, um sicherzustellen, dass sich das verstellbare Gewindeende des Kabels nicht aus dem Gegenstück löst.

**Richtige Seilspannung**

Die richtige Seilspannung ist dann gegeben, wenn der Gewichtsstapel reibungslos zurückkehrt und die Seilspannung in der Ruheposition locker bleibt.

Zu Beginn eines Trainings mit dem Gewichtsstapel als Last sollte kaum ein spannungsfreies Moment auftreten.

**!! HINWEIS**

- Wenn der Gewichtsstift die erforderliche Gewichtslast nicht reibungslos fixieren kann, weil die Schaltwelle bei herausgezogenem Stift leicht angehoben wird, sollte die Seilspannung gelockert werden.

**!! HINWEIS**

- Durch die normale Abnutzung des Kabels kann es sich mit der Zeit etwas dehnen. Auch die Gewichtsplattenpuffer können ein wenig zusammengedrückt werden. Daher kann nach einer gewissen Nutzungsdauer ein erneutes Einstellen des Kabels erforderlich sein. Dies hängt stark von der Verwendung und der Gesamtkabellänge ab.

**Freier Bereich (Abb D-0)****Voraussetzung für die Nutzung ist ein ausreichender Platz.**

Die freie Fläche sollte in den Richtungen, aus denen das Gerät betreten wird, mindestens 0,6 m größer sein als die \*Trainingsfläche. Die freie Fläche muss auch den Bereich für den Notabstieg umfassen. Wenn Geräte nebeneinander aufgestellt sind, kann die freie Fläche halbiert werden.

\*Die Trainingsfläche ist die maximale Länge/Breite/Höhe des Trainers, einschließlich der beweglichen Teile, gemessen an seiner maximalen Länge/Breite/Höhe während der Benutzung.

**WICHTIG**

Da sich Ihr Gerät in den ersten Betriebsstunden noch verschieben wird/kann, empfehlen wir Ihnen, die von Ihnen montierten Beschläge kurz zu überprüfen.

Wir empfehlen, alle Schrauben und Muttern nach den ersten paar Trainingseinheiten (ca. 10 Stunden) noch einmal nachzuziehen. So stellen Sie sicher, dass die Schrauben und Muttern immer noch gut angezogen sind, um die beste Leistung Ihres Trainers zu gewährleisten.

**!! HINWEIS**

- Wir empfehlen, die Gerätekomponenten regelmäßig zu überprüfen, mindestens einmal alle 3 Monate.

**Zusätzliche Informationen****Verpackungsentsorgung**

Staatliche Vorschriften sagen, dass wir die in Deponien entsorgen Abfallmengen verringern sollen. Daher bitten wir Sie, den gesamten Verpackungsabfall an öffentlichen Recyclingstellen abzugeben.

**Entsorgung am ende der Lebensdauer**

Wir bei Tunturi hoffen, dass Sie Ihren Fitnesstrainer viele Jahre mit Freude nutzen werden. Jedoch wird irgendwann die Zeit kommen, wenn die Ende der Nutzungsdauer des Fitnesstrainers erreicht ist. Gemäß den europäischen WEEE-Gesetzen sind Sie für eine geeignete Entsorgung des Fitnesstrainers bei einer anerkannten öffentlichen Entsorgungsstelle verantwortlich.

**Betriebshinweise****Auswahl der Gewichtsplatte**

- Verwenden Sie den Gewichtsauswahlstift, um die Anzahl der Gewichtsplatten für die Übung auszuwählen.
- Stecken Sie den Gewichtsauswahlstift nicht hinein, während sich der Gewichtsstapel oder die obere Platte in einer erhöhten Position befinden.
- Achten Sie darauf, dass der Auswahlstift vollständig hineingesteckt ist.
- Informationen finden Sie auf der Seite mit der Gewichtswiderstandstabelle.
- Verwenden Sie keine Hanteln oder andere Mittel, um den Gewichtswiderstand zu erhöhen. Verwenden Sie nur die vom Hersteller gelieferten Gewichtsplatten.  
Aus Sicherheitsgründen nur, wenn das Gerät gerade nicht verwendet wird. Stecken Sie den Schlossstift in das Loch an der Führungstange, um den Stift zu verriegeln sodass der Stift eine Bewegung der Gewichtsplatten verhindert.

**Übungsrichtlinie****Muskelaufbau und Gewichtszunahme**

Anders als aerobe Übungen, die das Training der Ausdauer betonen, konzentrieren sich anaerobe Übungen auf das Krafttraining. Eine allmähliche Gewichtszunahme kann eintreten, wenn die Größe und die Stärke der Muskeln aufgebaut wird. Während der Entwicklung von Muskelmasse passt sich der Körper an die Belastung an, die auf ihn wirkt. Sie können Ihre Ernährung so ändern, dass sie Lebensmittel wie Fleisch, Fisch und Gemüse beinhaltet. Diese Lebensmittel helfen Muskeln bei der Regeneration und bieten wichtige Nährstoffe nach einem anstrengenden Training.



## Muskelstärke und Ausdauer

Um den größten Nutzen aus dem Training zu ziehen, ist es wichtig, ein Übungsprogramm zu entwickeln, das es Ihnen ermöglicht, alle größeren Muskelgruppen gleichmäßig zu trainieren. Um die Muskelkraft zu steigern, befolgen Sie dieses Prinzip: Zunehmender Widerstand und Beibehaltung der Anzahl der Wiederholungen einer Übung führen zu erhöhter Muskelkraft.

Um Ihren Körper zu formen, befolgen Sie dieses Prinzip: Abnehmender Widerstand und plus Steigerung der Anzahl der Wiederholungen einer Übung führen zu erhöhter Körperspannung. Sobald Sie sich an eine Übung gewöhnt haben, können Sie den Widerstand, die Anzahl der Wiederholungen oder die Geschwindigkeit, mit der Sie die Übung durchführen, ändern. Es ist nicht nötig, alle drei Variablen zu ändern. Nehmen wir an, dass Sie zum Beispiel mit 10 kg. trainieren und die Übung 10 Mal in 3 Minuten durchführen. Wenn dies zu einfach wird, können Sie sich entscheiden, 12 kg. mit derselben Anzahl an Wiederholungen in derselben Zeit durchzuführen. Wenn Sie mehr Gewichte weniger oft heben, entwickeln Sie Muskelkraft. Um sowohl Muskelstärke als auch Ausdauer zu gewinnen, sollten Sie jede Übung mit 15 bis 20 Wiederholungen pro Satz durchführen.

## Trainingsintensität

Auf welcher Stufe Sie Ihr Training beginnen, hängt von Ihrem gesamten Fitnessniveau ab. Eventuelle Schmerzen können durch Verringerung der Last gemildert werden, die Sie auf Ihre Muskeln wirken lassen, und durch Ausführung weniger Sätze. Um Verletzungen zu vermeiden, sollten Sie in ein Übungsprogramm nach und nach einsteigen und die Last Ihrem individuellen Fitnessniveau anpassen. Die Last sollte mit steigendem Fitnessniveau erhöht werden. Muskelschmerzen sind häufig, insbesondere wenn Sie mit einer Übung erstmals beginnen. Wenn Sie längere Zeit Schmerzen haben, kann es Zeit sein, das Programm zu ändern. Schließlich gewöhnen sich Ihre Muskeln an die Belastung und den Druck, der auf sie wirkt.

## Beginn eines Programms zum Kraftaufbau

### **Aufwärmen**

Vor Beginn des eigentlichen Krafttrainings ist es wichtig, 5 bis 10 Minuten Dehn- und leichte Übungen durchzuführen. Dies bereitet den Körper auf die anstrengendere Übung vor, indem der Kreislauf angeregt, die Körpertemperatur gesteigert und in den Muskeln mehr Sauerstoff erzeugt wird.

### **Training**

Denken Sie bei jedem Training daran, dass Muskelschmerzen, die längere andauern, nicht wünschenswert sind und bedeuten können, dass es eine Verletzung vorliegt.

### **Abkühlen**

Führen Sie am Ende jedes Trainings 5 bis 10 Minuten langsame Dehnübungen durch. Führen Sie jede Dehnung nur so weit durch, wie Sie können. In dieser Phase können sich Ihre Muskeln nach dem Training entspannen. Für ein komplettes Trainingsprogramm sollten neben dem Krafttraining an 2 bis 3 Tagen aerobe Übungen durchgeführt werden.

### **Getränke**

Damit der Körper richtig funktioniert, muss er mit Wasser versorgt werden. Wenn Sie trainieren, sollten Sie die Flüssigkeitsaufnahme erhöhen. Der Grund dafür ist, dass das Wasser, das Sie zu sich nehmen, Ihren Körper durch das Schwitzen verlässt, das den Körper während der Übung abkühlt. Das Wasser, das Sie während der Übung verlieren, muss ersetzt werden, damit sich die Muskeln richtig regenerieren können.

## **Ruhetag**

Auch wenn Sie keine Lust dazu haben, ist mindestens ein Ruhetag pro Woche wichtig, da dies zur Selbstheilung Ihres Körpers beiträgt. Wenn Sie Ihre Muskeln ohne Pause trainieren, werden sie übertrainiert, was langfristig nicht gut ist.n.

## Reinigung und Wartung

- Schmieren Sie bewegliche Teile regelmäßig mit WD-40 oder Leichtöl.
- Überprüfen Sie vor Verwendung des Geräts alle Teile und ziehen Sie sie fest.
- Das Gerät kann mit einem feuchten Tuch und einem milden, nicht scheuernden Reinigungsmittel gereinigt werden. Verwenden Sie KEINE Lösungsmittel.
- Überprüfen Sie das Gerät regelmäßig auf Anzeichen von Schäden oder Verschleiß.
- Tauschen Sie defekte Teile umgehend aus und/oder verwenden Sie das Gerät nicht, bis es repariert ist.
- Fehlende Überprüfung kann die Sicherheit des Geräts beeinträchtigen.

## Störungen und Fehlfunktionen

Trotz ständiger Qualitätskontrolle können durch Einzelteile verursachte Störungen und Fehlfunktionen am Gerät auftreten. In den meisten Fällen ist es ausreichend, das defekte Teil zu erneuern.

- Falls das Gerät nicht ordnungsgemäß funktioniert, wenden Sie sich unverzüglich an den Händler.
- Nennen Sie dem Händler Modell- und Seriennummer des Geräts. Schildern Sie die Art des Problems, die Gebrauchsbedingungen und das Kaufdatum.

Kontaktinformationen und Produkthandbücher in weiteren Sprachen finden Sie auf unseren Websites:

## Garantie

### **Eigentümer-garantie für Tunturi fitnessgeräte.**

### **Garantiebedingungen**

Der Käufer hat Anspruch auf die anwendbaren Bestimmungen, die in der jeweiligen nationalen Gesetzgebung für den Handel mit Konsumgütern festgelegt sind. Diese Garantie schränkt diese Rechte nicht ein. Die Garantie des Käufers gilt nur, wenn der Artikel in einer Umgebung verwendet und nach Anweisung gewartet wird, die von Tunturi New Fitness BV für dieses Gerät genehmigt wurde. Die produktspezifisch zugelassene Umgebung und Wartungshinweise sind im "Benutzerhandbuch" des Produkts angegeben. Das "Benutzerhandbuch" kann von unserer Website heruntergeladen werden. <http://manuals.tunturi.com>

### **Eingeschränkte Garantie**

Tunturi New Fitness garantiert, dass dieses Produkt bei normalen Gebrauchs- und Wartungsbedingungen für einen Zeitraum von zwei Jahren (Gestell) bzw. einem Jahr (alle anderen Teile und Komponenten) ab Kaufdatum frei von Material- und Fertigungsfehlern ist. Diese Garantie gilt nur für den ursprünglichen Käufer und nur bei nicht gewerblichem Gebrauch. Die Verpflichtung von Tunturi Fitness unter dieser Garantie ist auf den Austausch beschädigter oder defekter Teil nach Wahl von Tunturi New Fitness beschränkt.

Alle Rücksendungen müssen vorher von Tunturi New Fitness genehmigt werden. Diese Garantie gilt nicht für Schäden an einem Produkt, die durch den Transport, missbräuchliche Verwendung, Missbrauch, falsche oder abnormale Verwendung oder Eigenreparaturen des Käufers verursacht wurden oder diesen zuzuschreiben sind oder für Produkte, die für gewerbliche oder Mitzwecke verwendet werden. Tunturi New Fitness gibt keine weiteren Garantien außer den oben beschriebenen.

Tunturi New Fitness übernimmt keine Verantwortung oder Haftung für indirekte, besondere oder Folgeschäden, die sich aus und in Verbindung mit der Verwendung oder Leistung des Produkts ergeben, oder für andere Schäden in Bezug auf wirtschaftliche Verluste, Eigentumsverlust, entgangene Umsätze oder Gewinne, entgangenen Genuss oder entgangene Nutzung, Kosten der Beseitigung, Installation oder andere Folgeschäden jeglicher Art.

Die hierunter angegebene Garantie ersetzt alle anderen Garantien. Alle stillschweigenden Garantien der Marktgängigkeit oder Eignung für einen bestimmten Zweck sind in Umfang und Dauer auf die hierin angegebene Laufzeit beschränkt.

**Ihre gesetzlichen Rechte werden davon nicht beeinflusst.**

## **Haftungsausschluss**

---

© 2025 Tunturi New Fitness BV  
Alle Rechte vorbehalten.

- Produkt und Handbuch können geändert werden.
- Die technischen Daten können ohne Vorankündigung geändert werden.
- Auf unserer Website finden Sie die neueste Version des Benutzerhandbuchs.

## Français

Ce manuel français est une traduction de la version anglaise. Notez que la version anglaise est en tête dans le contenu lorsque des différences sont trouvées.

## Bienvenue

### Consignes de sécurité importantes

Ce Manuel est un élément essentiel de votre équipement d'entraînement : veuillez lire toutes les instructions qu'il contient avant de commencer à utiliser cet équipement. Les consignes suivantes doivent toujours être respectées :

### Importants de sécurité

Cet appareil de musculation est conçu pour garantir une sécurité optimale. Toutefois, certaines précautions doivent être respectées chaque fois que vous utilisez un élément de cet équipement de musculation. Assurez-vous d'avoir lu l'intégralité du manuel avant d'assembler ou d'utiliser votre machine. Veuillez noter en particulier les précautions de sécurité suivantes :

- Veuillez à éloigner les enfants et animaux de la machine à tout moment. **VEILLES A NE PAS LAISSER** les enfants sans surveillance dans la pièce où se trouve la machine.
- La machine ne doit être utilisée que par une seule personne à la fois.
- Si l'utilisateur ressent des étourdissements, éprouve des nausées, des douleurs pectorales ou tout autre symptôme anormal, il **DOIT ARRÊTER** l'entraînement sans attendre et **CONSULTER UN MÉDECIN SANS DÉLAI**.
- Placez l'appareil sur une surface aussi plane et dégagée que possible. **N'UTILISEZ PAS** la machine près de l'eau ou à l'extérieur.
- Veuillez à éloigner vos mains et vos pieds de toute pièce en mouvement.
- Portez toujours des vêtements de sport adaptés lors des exercices **VEILLES A NE PAS PORTER** de robes ou autre vêtement qui pourrait se prendre dans la machine. Des chaussures de sport ou d'aérobic sont également requises lors de l'utilisation de la machine.
- Utilisez la machine uniquement pour l'usage auquel elle est destinée et qui est décrit dans le présent manuel. **N'UTILISEZ PAS** de fixations non recommandées par le fabricant.
- Ne placez aucun objet tranchant à proximité de la machine.
- Les personnes handicapées ne doivent pas utiliser l'équipement.
- Avant d'utiliser la machine, effectuez toujours auparavant des étirements ou vous échauffer correctement.
- N'utilisez jamais la machine si celle-ci ne fonctionne pas correctement.

#### Avertissement:

Avant d'entamer un programme d'exercices, consultez votre médecin. Ceci s'adresse particulièrement aux personnes de plus de 5 ans ou celles qui présentent des problèmes de santé pré-existants. Lisez toutes les instructions avant d'utiliser n'importe quel équipement de musculation. Tunturi New Fitness bv décline toute responsabilité quant aux blessures aux personnes ou aux dommages aux biens du fait ou découlant de l'utilisation de ce produit.

**Gardez ces instructions en lieu sûr!**

## Instructions de montage

### Avant de commencer

Nous vous recommandons d'utiliser deux clés à molette pour le montage de votre produit. Si vous avez des clés métriques de la bonne dimension, cela convient également.

#### !! REMARQUE

- Les clés (à molette) appropriées **NE SONT PAS** fournies avec le produit ni incluses dans le kit de montage.
- Il est fortement recommandé de faire assembler cet équipement par deux personnes ou plus afin d'éviter tout accident/blessure.

### Illustration de description A

Cette illustration montre ce à quoi le trainer ressemblera une fois le montage terminé.

Vous pouvez l'utiliser au titre de référence lors du montage mais suivez bien les étapes de montage dans l'ordre indiqué tel que les illustrations le montrent.

### Illustration de description B

Cette illustration montre les composants et les pièces que vous devez trouver après avoir déballé le produit.

#### !! REMARQUE

- Faites attention lors du déballage, les petites pièces peuvent être cachées/emballées dans les espaces creux utilisés comme matériaux de protection du produit.
- Si une pièce manque, contactez votre revendeur.

### Illustration de description C

Cette illustration montre le kit de quincaillerie fourni avec le produit. Le kit de quincaillerie contient des boulons, des rondelles, des vis, des écrous, etc. ainsi que les outils vous permettant d'installer correctement votre trainer.

### Illustration de description D

Ces illustrations vous indiquent l'ordre de montage correct pour monter votre trainer.

#### ⚠ AVERTISSEMENT

- Assemblez l'équipement dans l'ordre indiqué.
- Deux personnes au moins sont nécessaires pour transporter et déplacer l'équipement.

#### ⚠ PRÉCAUTION

- Placez l'équipement sur une surface plane et ferme.
- Placez l'équipement sur une base protectrice pour éviter d'endommager la surface du sol.
- Consultez les illustrations pour l'assemblage correct de l'équipement.

## Informations complémentaires de montage des câbles

Avant d'installer les câbles, il est important :

- De les démêler complètement.
- D'éviter de tordre le câble en le faisant passer par les poulies.

### AVERTISSEMENT

- Tordre le câble lors de l'installation pourrait entraîner l'arrachement de la gaine de protection en plastique du câble en acier intérieur.
- Tordre le câble lors de l'installation pourrait entraîner l'emmêlement des câbles ou le mauvais fonctionnement du retour des contrepoids.

Avant de fixer le câble sur l'arbre de sélection, tous les câbles doivent d'abord être acheminés dans toute la station. L'écrou de blocage doit également être serré à fond.

- Insérez l'extrémité filetée du câble dans l'arbre de sélection en le tournant autant que possible dans le sens des aiguilles d'une montre.
- Serrez la fixation en tournant fermement l'écrou de blocage dans le sens des aiguilles d'une montre.

### AVERTISSEMENT

- Tous les câbles aux extrémités réglables filetés doivent avoir un filetage d'au moins 15 mm (1/2") dans leur contre-partie. Il est très important que le contre-écrou soit bien serré sur la contre-pièce afin que l'extrémité réglable filetée du câble ne se retire pas de sa contre-pièce.

## Tension correcte du câble

La tension du câble est correcte lorsque la pile de poids revient en douceur, en gardant une tension de câble lâche lorsque la pile de poids est en position de repos.

Il ne devrait pas y avoir de moment sans tension au début d'une séance d'entraînement en utilisant la pile de poids comme charge.

### REMARQUE

- Lorsque la goupille du sélecteur de poids ne peut pas fixer en douceur la charge de poids requise parce que l'arbre de sélection est légèrement soulevé lorsque la goupille du sélecteur est sortie, la tension du câble doit être relâchée.

### REMARQUE

- À mesure que le temps passe, le câble peut s'étirer légèrement en s'usant. Les tampons des contrepoids peuvent également être légèrement comprimés. Le réglage du câble peut donc s'avérer nécessaire au bout d'un certain temps. Cela dépend dans une large mesure de l'utilisation du câble et de sa longueur totale.

## Dégagement (Fig. D-0)

### L'utilisation exige un espace suffisant.

Le dégagement doit être supérieur d'au moins 0,6 m à la \*zone d'entraînement dans toutes les directions d'accès à l'équipement. Le dégagement doit également inclure l'espace suffisant pour effectuer un démontage d'urgence. Lorsque les équipements sont placés les uns à côté des autres, le dégagement peut être partagé.

\*La zone d'entraînement correspond aux valeurs maximales de la longueur/largeur/hauteur de l'appareil, y compris les parties mobiles, mesurée aux valeurs maximales de la longueur/largeur/hauteur en cours d'utilisation.

## IMPORTANT

Étant donné que votre vélo peut être réglé au cours des premières heures d'utilisation, nous vous recommandons de vérifier rapidement le matériel que vous avez installé pendant le montage. Nous vous conseillons de resserrer tous les boulons et écrous après les premières séances d'entraînement (environ 10 heures). Il suffit de vérifier que les boulons et les écrous sont bien serrés afin de bénéficier des meilleures performances de votre vélo.

### NOTE

- Nous recommandons de vérifier régulièrement le matériel, au moins une fois tous les 3 mois.

## Informations supplémentaires

### Élimination des emballages

Les réglementations gouvernementales nous demandent de réduire la quantité de matériaux déposés dans les décharges. C'est pour cela que nous faisons appel à votre responsabilité et vous demandons de déposer les emballages dans des centres de recyclage publics.

### Élimination du produit

Chez Tunturi, nous espérons que vous profiterez longtemps de votre appareil de fitness. Cependant, nous savons bien qu'un jour ou l'autre votre machine arrivera au terme de sa vie utile. Selon la directive européenne sur les DEEE, vous êtes responsable de vous séparer correctement de votre appareil de fitness en le déposant dans un site public agréé de récupération des déchets.

## Notes d'opération

### Sélection des plaques de poids

- Utilisez la cheville de sélection de poids afin de définir le nombre de plaques souhaitées pour les exercices.
- N'insérez pas la cheville de sélection de poids si la pile de plaques ou si la plaque supérieure est en position relevée.
- Assurez-vous que la cheville de sélection de poids soit complètement introduite.
- Veuillez vous reporter au tableau de résistance des charges.
- N'utilisez jamais d'haltères ou autres pour augmenter la résistance des charges. N'utilisez que les plaques de poids fournies par le fabricant.
- Aux fins de sécurité lorsque l'équipement n'est pas utilisé, insérez la cheville de blocage dans l'orifice situé sur la tige de guidage, pour verrouiller la cheville et éviter aux plaques de bouger.

## Conseils d'entraînement

### Structuration musculaire et gain de poids.

À la différence des exercices aérobies, qui mettent l'accent sur l'amélioration de l'endurance, les exercices anaérobies se concentrent sur le développement musculaire. Un gain de poids graduel peut se produire en développant la taille et la force des muscles. En développant la masse musculaire, votre corps s'adapte au stress auquel il est soumis. Vous pouvez modifier votre régime pour inclure des aliments tels que viandes, poissons et légumes. Ces aliments aident les muscles à récupérer et reconstituer les nutriments importants après un exercice éprouvant.

## **Force musculaire et endurance**

Pour tirer le meilleur parti des exercices, il est important de développer un programme d'exercices vous permettant de travailler tous les groupes musculaires majeurs de manière égale.

Pour augmenter la force musculaire, suivez ce principe : augmenter la résistance et garder le même nombre de répétitions d'un exercice permet d'augmenter la force musculaire. Pour tonifier votre corps, suivez ce principe: diminuer la résistance et augmenter la cadence de répétitions d'un exercice permet d'augmenter la tonicité du corps. Une fois que vous vous êtes bien habitué à un exercice, vous pouvez modifier la résistance, la cadence de répétition ou la vitesse à laquelle vous effectuez l'exercice. Il n'est pas nécessaire de modifier les trois variables. Par exemple, supposons que vous vous entraîniez avec 10 kg. et effectuiez l'exercice 10 fois en 3 minutes. Lorsque celui-ci devient trop facile, vous pouvez envisager de passer à un levage de 12 kg. pour le même nombre de répétitions pendant la même période de temps. Lever plus de poids moins de fois développe le plus souvent la force musculaire. Pour gagner à la fois en force musculaire et en endurance, il est recommandé d'effectuer chaque exercice 15 à 20 fois par série.

## **Intensité de l'entraînement**

Le niveau auquel vous commencez à vous entraîner dépend de votre niveau général de forme. Les douleurs éprouvées peuvent être atténuées en réduisant la charge que vous faites supporter à vos muscles et en effectuant moins d'exercices. Pour éviter les blessures, vous devez appliquer graduellement votre programme d'exercices et régler la charge à votre niveau personnel de forme. La charge doit augmenter à mesure que votre niveau de forme augmente. Les douleurs musculaires sont chose courante, spécialement lorsque vous commencez à vous exercer. Si vous éprouvez durablement des douleurs, il peut être temps de modifier votre programme. Au final, votre système musculaire s'habitue aux contraintes qu'il subit.

## **Commencer un programme de structuration musculaire**

### **Échauffement**

Pour commencer l'entraînement musculaire, il est important de s'étirer et d'effectuer des exercices faciles entre 5 et 10 minutes. Cela aide à préparer le corps à des exercices plus contraignants en augmentant la circulation, ce qui fait monter votre température corporelle et oxygène mieux vos muscles.

### **Entraînement**

Il faut se rappeler que pour chaque exercice, les douleurs musculaires qui durent pendant une très longue période ne sont pas souhaitables et peuvent causer des lésions.

### **Récupération**

À la fin de chaque exercice, effectuez des étirements lents entre 5 et 10 minutes. Relâchez-vous entre chaque étirement et en l'effectuant aussi loin que vous le pouvez. Cette étape permet d'oxygéner vos muscles après l'entraînement. Pour un programme d'exercice complet, il est également recommandé d'effectuer 2 à 3 jours d'exercices aérobies en plus de l'entraînement pour le développement musculaire.

### **Boire de l'eau**

Pour que le corps fonctionne correctement, il doit être correctement hydraté. Si vous faites des exercices, vous devez augmenter votre consommation de liquides. La raison est que l'eau que vous absorbez sera éliminée par la transpiration qui refroidit votre organisme durant les exercices. L'eau que vous perdez du fait des exercices doit être remplacée pour que les muscles puissent récupérer correctement.

## **Jours de repos**

Bien que vous puissiez ne pas en avoir envie, il est important de prendre un jour de repos au moins une fois par semaine car cela permet à votre corps de se régénérer. Faire travailler vos muscles continuellement conduira à un surentraînement qui ne vous apportera aucun bénéfice à long terme.

## **Nettoyage et maintenance**

- Lubrifiez périodiquement les parties mobiles avec de la wd-40 ou de l'huile légère.
- Contrôlez et resserrez tous les éléments avant d'utiliser cet équipement.
- La machine se nettoie à l'aide d'un chiffon humide et de produit détergent doux et non-abrasif. N'utilisez pas de solvants.
- Examinez l'équipement régulièrement pour détecter tous dommages ou signes d'usure.
- Remplacez les éléments défectueux sans délai et/ou n'utilisez pas l'équipement jusqu'à réparation.
- Le fait de négliger l'examen régulier de l'équipement peut compromettre le niveau de sécurité de celui-ci.

## **Défauts et dysfonctionnements**

Malgré un contrôle continu de la qualité, des défauts ou des dysfonctionnements peuvent être occasionnés par des composants individuels. La plupart du temps, il vous suffit de remplacer la pièce défectueuse.

- Si l'équipement ne fonctionne pas correctement, contactez immédiatement le revendeur.
- Fournissez le numéro de modèle et le numéro de série de l'équipement au revendeur. Mentionnez la nature du problème, les conditions d'usage et la date d'achat.

Si vous souhaitez obtenir des données de contact ou des manuels de produit dans une autre langue, veuillez vous rendre sur nos sites internet:

## **Garantie**

### **Garantie du propriétaire d'un équipement de Tunturi**

#### **Conditions de garantie**

Le consommateur est protégé par la législation en vigueur concernant le commerce des biens de consommation. Cette garantie ne limite pas ces droits. La Garantie de l'acheteur n'est valide que si le produit est utilisé dans l'environnement préconisé par la société Tunturi New Fitness BV, et est conservé tel que cela est indiqué pour cet équipement donné. L'environnement approuvé spécifique au produit et les instructions d'entretien sont indiqués dans le « manuel d'utilisation » du produit. Le « manuel d'utilisation » peut être téléchargé sur notre site Web. <http://manuals.tunturi.com>

#### **Garantie limitée**

Tunturi New Fitness garantit que ce produit est exempt de défauts dans sa qualité et ses matériaux, dans le cas d'une utilisation et de conditions de service normaux, pour une période de deux ans pour le châssis et d'un an pour toutes les autres pièces et composants et ce à compter de la date d'achat. Cette garantie ne s'applique qu'à l'acheteur original et est valable uniquement dans le cas d'un usage domestique. L'obligation de Tunturi New Fitness aux termes de cette garantie se limite au remplacement des pièces endommagées ou défectueuses à la discrétion de Tunturi New Fitness.

Tout retour doit être au préalable autorisé par Tunturi New Fitness. Cette garantie ne s'applique pas aux produits ou aux dommages à un produit causés par ou attribuables à des dégâts lors du transport, un abus, une mauvaise utilisation ou une utilisation anormale, ni aux réparations effectuées par l'acheteur ou encore aux produits utilisés à des fins commerciales ou de location. Aucune autre garantie que celle précisée ci-dessus n'est autorisée par Tunturi New Fitness.

Tunturi New Fitness n'assume aucune responsabilité pour les dommages indirects, spéciaux ou consécutifs survenant du fait de ou en relation avec l'utilisation ou la performance du produit ou pour tout autre dommage relatif à une perte économique, une perte de propriété, un manque-à-gagner, une perte des bénéfices ou une utilisation réduite, des coûts de démontage, d'installation ou autre dommage consécutif de quelque nature que ce soit

La garantie étendue ci-après s'applique en lieu et place des autres garanties et toutes les autres garanties de qualité marchande et de compatibilité à des fins particulières sont limitées dans leur champ d'application et leur durée aux termes définis dans le présent document.

**Vos droits légaux ne sont pas affectés.**

### **Limite de responsabilité**

© 2025 Tunturi New Fitness BV  
Tous les droits réservés.

- Le produit et le manuel sont sujets à modifications.
- Les spécifications peuvent changer sans préavis.
- Consultez notre site Web pour obtenir la dernière version du manuel d'utilisation.

## Nederlands

Deze Nederlandse handleiding is een vertaling van de Engelse tekst. Aan deze vertaling kunnen geen rechten ontleend worden. De originele Engelse tekst blijft leidend.

## Welkom

### Belangrijke Informatie

Deze handleiding is een essentieel onderdeel van uw trainingsapparatuur. Lees alle instructies in deze handleiding voordat u de apparatuur in gebruik neemt. De volgende voorzorgsmaatregelen moeten altijd in acht worden genomen:

### Belangrijke veiligheidsinstructie

#### Voorzorgsmaatregelen

Dit fitnessapparaat is ontworpen voor optimale veiligheid. Neem echter bepaalde voorzorgsmaatregelen in acht wanneer u fitnessapparatuur gebruikt. Lees de volledige handleiding voordat u het apparaat gaat monteren of gebruiken. Let met name op de volgende veiligheidsinstructies:

- Houd kinderen en huisdieren te allen tijde uit de buurt van het apparaat. Laat kinderen NOOIT zonder toezicht in dezelfde ruimte als het apparaat.
- Het apparaat mag door slechts één persoon per keer worden gebruikt.
- Als de gebruiker last krijgt van duizeligheid, misselijkheid, pijn op de borst of enige andere abnormale symptomen, dient de oefening direct te worden gestaakt. NEEM ONMIDDELIJK CONTACT OP MET EEN ARTS.
- Plaats het apparaat op een vlak oppervlak. Gebruik het apparaat NIET buitenshuis of in de buurt van water.
- Houd handen uit de buurt van de bewegende delen.
- Draag tijdens de training altijd geschikte sportkleding. Draag GEEN lange kamerjas of andere kleding die vast kan komen te zitten. Draag tijdens de oefeningen hardloop- of aerobicschoenen.
- Dit apparaat is alleen bedoeld voor het gebruik zoals beschreven in deze handleiding. Gebruik alleen accessoires aanbevolen door de fabrikant.
- Plaats geen scherpe objecten in de buurt van het apparaat.
- Gehandicapte of minder valide personen mogen het apparaat alleen gebruiken onder toezicht van een gekwalificeerde persoon of arts.
- Voer voordat u het apparaat gaat gebruiken strekoefeningen uit als warming-up.
- Gebruik het apparaat niet als het niet naar behoren functioneert.
- Tijdens oefeningen wordt de aanwezigheid van een spotter aangeraden.
- Steek de gewichtselector-pen niet in de platen wanneer de gewichtenkolom of de bovenste plaat in de hoogste positie staat.
- Controleer of de gewichtselector-pen helemaal in de gewichtplaten is gestoken.

#### Waarschuwing:

Raadpleeg eerst uw arts voordat u aan een Trainingsprogramma begint. Dit is met name belangrijk voor personen Ouder dan 35 of personen met bepaalde gezondheidsklachten. Lees alle Instructies voordat u fitnessapparatuur gebruikt. Tunturi New fitness bv is Niet aansprakelijk voor persoonlijk letsel of schade aan eigendommen Veroorzaakt door of ten gevolge van het gebruik van dit product.

**Bewaar deze instructies goed!**

## Belangrijke montage-informatie

### Voor u begint

Wij raden u aan twee verstelbare steeksleutels te gebruiken om het toestel in elkaar te zetten. Als u steeksleutels in de juiste maat heeft is dit ook prima.

#### !! OPMERKING

- Geschikte (verstelbare) steeksleutels worden NIET meegeleverd bij het toestel en zitten ook niet in de montageset.
- Voorkom letsel en monteer dit apparaat met twee of meer personen.

### Beschrijving afbeelding A

De illustratie laat zien hoe de trainer er na de montage uitziet. U kunt dit als referentie gebruiken tijdens de montage, maar volg de montageschappen altijd in de juiste volgorde, zoals aangegeven op de afbeeldingen.

### Beschrijving afbeelding B

De illustratie laat zien welke componenten en onderdelen er in uw pakket moeten zitten.

#### !! OPMERKING

- Let op bij het uitpakken, kleine onderdelen kunnen soms enigszins verborgen verpakt zitten in de holle ruimtes die het product beschermen.
- Raadpleeg uw dealer als een onderdeel ontbreekt.

### Beschrijving afbeelding C

De afbeelding toont de hardwarekit die bij uw product wordt geleverd.

De hardwarekit bevat bouten, ringen, schroeven, moeren etc. en het benodigde gereedschap om uw trainer op de juiste manier te monteren.

### Beschrijving afbeelding D

Op de afbeeldingen staat aangegeven in welke volgorde de trainer moet worden gemonteerd.

#### ⚠ WAARSCHUWING

- Monteer het apparaat in de aangegeven volgorde.
- Draag en verplaats het toestel met minstens twee personen.

#### ⚠ VOORZICHTIG

- Zet het toestel op een stevige, vlakke ondergrond.
- Zorg voor een beschermende laag onder het toestel om schade aan het vloeroppervlak te voorkomen.
- Raadpleeg de illustraties voor de juiste assemblage van het toestel.

### Aanvullende montage-informatie kabels installeren

Let, voordat u de kabels gaat installeren, op het volgende:

- Haal de kabels volledig uit elkaar.
- Voorkom dat de kabel verdraait als deze over de katrolwielen loopt.

**⚠ WAARSCHUWING**

- Een verdraaide kabel in de installatie kan ertoe leiden dat de buitenste beschermende coating los komt van de binnenste staakabel.
- Een verdraaide kabel in de installatie kan ertoe leiden dat de kabels verstrengeld raken of dat de gewichtplaten niet goed op de oorspronkelijke stand terugkeren.

Voordat de kabel op de selector-as wordt bevestigd, moeten eerst alle kabels door het station worden geleid. De borgmoer moet ook volledig omhoog worden gedraaid.

- Steek het draadeind van de kabel in de selector-as door deze zo ver mogelijk rechtsom te draaien.
- Draai de borgmoer stevig rechtsom om het geheel vast te zetten.

**⚠ WAARSCHUWING**

- Bij alle kabels met verstelbare uiteinden met schroefdraad moet ten minste 15 mm (1/2") van het schroefdraad in de tegenhanger worden geschroefd.  
Het is zeer belangrijk dat de tegenmoer goed wordt aangedraaid om ervoor te zorgen dat het verstelbare uiteinde van de kabel met schroefdraad niet uit zijn tegenhanger terugspringt.

**Juiste kabelspanning**

Bij de juiste kabelspanning komt de kolom gewichtplaten soepel terug, terwijl de kabelspanning laag blijft wanneer de kolom gewichtplaten in de rustpositie ligt.

Aan het begin van de training, waarbij de kolom gewichtplaten wordt gebruikt als belasting, moet de kabel vrijwel voortdurend gespannen zijn.

**!! OPMERKING**

- Wanneer de gewichtselector-pen niet soepel de vereiste gewichtsbelasting kan vastzetten omdat de selector-as licht wordt opgetild wanneer de selector-pen uit de gewichtplaten is getrokken, moet de spanning van de kabel worden verlaagd.

**!! OPMERKING**

- Als gevolg van normale slijtage kan de kabel na verloop van tijd enigszins uitrekken. De buffers van de gewichtplaat kunnen ook iets samengeperst raken. Zodoende kan het na een periode van gebruik noodzakelijk zijn om de kabel opnieuw af te stellen. Dit hangt sterk af van het gebruik en de totale lengte van de kabel.

**Vrije ruimte (Fig. D-0)**

**Een voorwaarde voor gebruik is dat er voldoende ruimte is.**

Deze vrije ruimte moet ten minste 0,6 m groter zijn dan de trainingsruimte\* vanuit de richtingen waar men het apparaat wilt opstappen.

De vrije ruimte moet ook ruimte overlaten om bij nood van de band te stappen. Indien apparaten naast elkaar zijn opgesteld, kan het oppervlak van de vrije ruimte worden gedeeld.

\*De trainingsruimte is de maximale lengte/breedte/hoogte van de trainer, inclusief bewegende delen, gemeten volgens de maximale lengte/breedte/hoogte tijdens gebruik.

**BELANGRIJK**

Omdat de onderdelen van uw trainer zich in de eerste gebruiksuren nog zullen (kunnen) verschuiven, raden wij u aan een snelle controle uit te voeren van de hardware die u tijdens de montage hebt aangebracht.

Wij raden aan alle bouten en moeren na de eerste paar trainingssessies (ongeveer 10 uur) opnieuw aan te draaien.

Dit om er zeker van te zijn dat de bouten en moeren nog goed vastzitten en zo voor optimale prestaties van uw trainer zorgen.

**!! LET OP**

Wij raden aan de hardware regelmatig te controleren, minstens om de 3 maanden.

**Aanvullende informatie****Afvoeren van verpakkingsmateriaal**

Overheids-richtlijnen geven aan dat we de hoeveelheid afvalmateriaal afgevoerd naar stortplaatsen moeten verminderen. Daarom vragen we u al het afvalmateriaal op verantwoordelijke wijze af te voeren naar openbare recycling-centra.

**Verwijdering aan het eind van de levensduur.**

We hopen dat u jarenlang plezier hebt van uw fitnessapparaat. Er komt echter een moment waarop het fitnessapparaat het eind van de bruikbare levensduur heeft bereikt. Onder de Europese AEEA-wetgeving bent u verantwoordelijk voor het op de juiste wijze afvoeren van uw fitnessapparaat naar een erkend openbaar inzamelpunt.

**Gebruik****Selectie van de gewichtplaten**

- Met de gewichtselector-pen kunt u het aantal gewichtplaten selecteren voor de oefening.
- Steek de gewichtselector-pen niet in de platen wanneer de gewichtskolom of de bovenste plaat in de hoogste positie staat.
- Controleer of de gewichtselector-pen helemaal in de gewichtplaten is gestoken.
- Raadpleeg de gewichtweerstandstabel verderop in dit document.
- Gebruik nooit dumbbells of andere accessoires om de weerstand te verhogen. Gebruik alleen gewichtplaten geleverd door de fabrikant.
- Houd u aan de volgende veiligheidsinstructie wanneer het apparaat niet in gebruik is: steek de borgpen in het gat in de geleidestang. Zo voorkomt u dat de gewichtplaten kunnen worden bewogen.

**Richtlijnen voor oefeningen****Spierontwikkeling en gewichtstoename**

In tegenstelling tot aerobicsoefeningen, waarbij de nadruk ligt op uithoudingsvermogen, zijn anaerobicsoefeningen gericht op krachttraining. Wanneer u uw spieren traint, neemt u mogelijk iets toe in gewicht. Tijdens het ontwikkelen van spiermassa past uw lichaam zich aan de belasting aan. U kunt uw voedingspatroon wijzigen en bijvoorbeeld extra vlees, vis en groenten toevoegen. Deze voedingsmiddelen helpen bij het herstel van de spieren en vullen belangrijke voedingsstoffen aan na een zware workout.

## **Spierkracht en uithoudingsvermogen**

Een oefening levert het beste resultaat op als u zich aan een trainingsprogramma houdt waarbij alle grote spiergroepen met dezelfde intensiteit worden getraind. Als u uw spierkracht wilt verbeteren, houdt u zich aan dit principe: het verhogen van de weerstand in combinatie met hetzelfde aantal herhalingen van een oefening leidt tot sterkere spieren. Als u uw lichamelijke conditie wilt verbeteren, houdt u zich aan dit principe: het verlagen van de weerstand en het verhogen van het aantal herhalingen van een oefening leidt tot een betere lichamelijke conditie.

Wanneer een oefening makkelijk wordt voor u, kunt u de weerstand, het aantal herhalingen of de snelheid verhogen waarmee u de oefening uitvoert. U hoeft niet alle drie de variabelen te veranderen. Stel u traint met 10 kg. en voert de oefening tien keer uit in drie minuten. Wanneer dit te makkelijk wordt, kunt u het gewicht bijvoorbeeld verhogen naar 12 kg. voor hetzelfde aantal oefeningen in dezelfde tijd. Het tillen van meer gewicht in minder tijd vergroot doorgaans de spierkracht. Als u niet alleen uw spierkracht maar ook uw uithoudingsvermogen wilt verbeteren, wordt u aangeraden elke oefening 15 tot 20 keer uit te voeren per set.

## **Trainingsintensiteit**

Hoe hard u begint met trainen, is afhankelijk van uw algehele conditie. U kunt de pijn die u ervaart, verminderen door uw spieren minder te belasten en minder sets uit te voeren. Voorkom letsels door geleidelijk aan te beginnen met een trainingsprogramma en de belasting aan te passen aan uw algehele conditie. Wanneer uw conditie verbetert, kunt u de druk opvoeren.

Spierpijn is heel gewoon, vooral wanneer u pas net begint met trainen. Als u echter lang last hebt van spierpijn, moet u het programma mogelijk aanpassen. Uw spieren zullen uiteindelijk gewend raken aan de belasting.

## **Beginnen met een krachttraining programma**

### **Warming-up**

Voordat u begint met een krachttraining, moet u vijf tot tien minuten strekoefeningen en andere lichte oefeningen doen. Zo wordt de bloedsomloop verbeterd, wordt uw lichaamstemperatuur verhoogd en wordt meer zuurstof naar uw spieren getransporteerd als voorbereiding op de zwaardere oefeningen.

### **Workout**

Houd bij elke workout in gedachten dat angaanhoudende spierpijn ongewenst is en kan betekenen dat u een blessure hebt opgelopen.

### **Cooling-down**

Doe aan het eind van elke workout vijf tot tien minuten lang langzame strekoefeningen. Strek nooit zo ver dat het pijn doet. In deze fase van de training kunnen uw spieren ontspannen. Het wordt aangeraden in een volledig trainingsprogramma ook twee of drie dagen aerobicsoefeningen te doen naast de krachttraining.

### **Water drinken**

Uw lichaam kan alleen goed functioneren als u voldoende water drinkt. Drink dus meer water wanneer u traint. Het water dat u drinkt, wordt namelijk uitgescheiden via het zweet dat het lichaam produceert om koel te blijven tijdens het trainen. Het water dat u zo verliest, moet worden aangevuld zodat de spieren goed kunnen herstellen.

### **Rustdag**

Het nemen van een rustdag eenmaal per week is belangrijk omdat uw lichaam zo de kans krijgt om te herstellen. Het constant trainen van de spieren kan leiden tot overbelasting.

## **Reiniging en onderhoud**

- Smeer bewegende onderdelen regelmatig met wd-40 of lichte olie.
- Inspecteer en draai alle onderdelen aan voordat u het apparaat gebruikt.
- Maak het apparaat schoon met een doek bevochtigd met een mild, niet-schurend schoonmaakmiddel. Gebruik geen oplosmiddelen.
- Controleer het apparaat regelmatig op tekenen van slijtage of beschadiging.
- Vervang defecte componenten direct en/of stel het apparaat buiten gebruik tot het is gerepareerd.
- Indien het apparaat niet regelmatig wordt gecontroleerd, kan het gebruik ervan onveilig worden.

## **Defecten en storingen**

Ondanks voortdurende kwaliteitscontrole kan het gebeuren dat het toestel door individuele onderdelen defect is of niet goed werkt. In de meeste gevallen zal het voldoende zijn om het defecte onderdeel te vervangen.

- Als het toestel niet goed werkt, neem dan onmiddellijk contact op met de dealer.
- Geef het modelnummer en serienummer van het toestel op aan de dealer. Vertel wat de aard van het probleem is, hoe het toestel wordt gebruikt en wanneer u het toestel heeft gekocht.

Ga voor contactgegevens en producthandleidingen in andere talen naar onze websites:

## **Garantie**

### **Garantie voor eigenaars van Tunturi trainingsapparatuur**

#### **Garantievoorwaarden**

De consument heeft recht op de geldende wettelijke rechten met betrekking tot de handel in consumptiegoederen die worden vermeld in de nationale wet- en regelgeving. Deze garantie zal deze rechten niet beperken. De garantie voor de eigenaar geldt alleen wanneer het apparaat wordt gebruikt in een door Tunturi New Fitness BV voor dat specifieke apparaat toegestane omgeving en wordt onderhouden volgens de aanwijzingen. De goedgekeurde omgeving en onderhoudsinstructies voor het product staan vermeld in de "gebruikershandleiding" van het product. De "gebruikershandleiding" kan worden gedownload op onze website. <http://manuals.tunturi.com>

#### **Beperkte garantie**

Tunturi New Fitness garandeert dat dit product, bij normaal gebruik en onderhoud, vrij is van defecten in materiaal en fabricage voor een periode van twee jaar op het frame en één jaar op alle andere onderdelen en componenten na de datum van aankoop. Deze garantie geldt alleen voor de oorspronkelijke koper en geldt alleen voor thuisgebruik. De aansprakelijkheid van Tunturi New Fitness onder deze garantie is beperkt tot het vervangen van beschadigde of defecte onderdelen, zulks uitsluitend ter beoordeling door Tunturi New Fitness.

Alle retourzendingen moeten vooraf worden geautoriseerd door Tunturi New Fitness. Deze garantie is niet toepasbaar voor een product of schade aan een product ten gevolge van het transport, misbruik, verkeerd of oneigenlijk gebruik, eigen reparaties door de koper of voor producten gebruikt voor commerciële doeleinden of verhuurdoeleinden.

Enkel de bovengenoemde specifieke garanties zijn goedgekeurd door Tunturi New Fitness.

Tunturi NewFitness is niet verantwoordelijk of aansprakelijk voor bijzondere, indirecte of gevolgschade die voortkomt uit of verband houdt met het gebruik of de prestaties van het product of andere schade met betrekking tot verlies van eigendom of kapitaal, winstderving of inkomstenverlies, gebruiks- of genotsderving, kosten voor verwijdering, installatie of andere gevolgschade van welke aard dan ook.

Bovenbedoelde garantie komt in de plaats van alle overige garanties. Het bereik en de duur van alle impliciete garanties van verkoopbaarheid en geschiktheid voor een bepaald doel zijn beperkt tot de voorwaarden beschreven in dit document.

**Uw wettelijke rechten worden niet beïnvloed door deze voorwaarden.**

## **Disclaimer**

---

© 2025 Tunturi New Fitness BV

Alle rechten voorbehouden.

- Het product en de handleiding zijn aan veranderingen onderhevig.
- Specificaties kunnen zonder verdere kennisgeving worden veranderd.
- Raadpleeg onze website voor de meest recente versie van de gebruikershandleiding.

## Italiano

Questo manuale in lingua italiana è una traduzione dalla versione originale del manuale in lingua inglese.  
Non si possono trarre diritti di traduzione dalla presente traduzione.

## Benvenuti

### Importanti istruzioni di sicurezza

Questo manuale è una parte essenziale dell'attrezzo da allenamento, si prega di leggere tutte le istruzioni fornite prima di iniziare a utilizzare l'attrezzo. Le seguenti precauzioni devono essere sempre seguite:

### Avviso importante sulla sicurezza

Questa attrezzatura per l'esercizio fisico è stata progettata per garantire una sicurezza ottimale. Tuttavia, è necessario applicare alcune precauzioni ogni volta che si utilizza un'attrezzatura per l'esercizio fisico. Assicurarsi di leggere interamente il manuale prima di assemblare o utilizzare l'attrezzatura. In particolare, tenere presente le seguenti precauzioni di sicurezza:

- Mantenere i bambini e gli animali sempre lontani dall'attrezzatura. NON lasciare i bambini senza sorveglianza nella stanza in cui è presente l'attrezzatura.
- L'attrezzatura deve essere utilizzata da una sola persona alla volta.
- Se l'utente presenta stordimenti, nausea, dolori al petto o qualsiasi altro sintomo anomalo, TERMINARE l'allenamento immediatamente. CONSULTARE IMMEDIATAMENTE UN MEDICO. Posizionare l'attrezzatura in una superficie pulita e piana. NON usare l'attrezzatura vicino all'acqua o all'esterno.
- Mantenere le mani lontane da tutte parti in movimento.
- Indossare sempre un abbigliamento appropriato per l'esercizio fisico durante l'allenamento. NON indossare accappatoi o altro tipo di abbigliamento che potrebbe impigliarsi nell'attrezzatura. Quando si utilizza l'attrezzatura è richiesto l'uso di scarpe da corsa o aerobica. Utilizzare l'attrezzatura solo per lo scopo previsto come descritto in questo manuale. NON utilizzare allegati non consigliati dal produttore.
- Non posizionare oggetti appuntiti vicino all'attrezzatura.
- I disabili non devono usare l'attrezzatura.
- Prima di utilizzare l'attrezzatura per l'allenamento, eseguire sempre esercizi di stretching per il riscaldamento.
- Non utilizzare mai l'attrezzatura se non funziona correttamente.

#### Avviso:

Prima di iniziare qualsiasi programma di allenamento, consultare il proprio medico. Ciò risulta particolarmente importante per gli individui di età superiore ai 35 anni o per le persone con problemi di salute preesistenti.

Leggere tutte le istruzioni prima di utilizzare una qualsiasi attrezzatura per l'allenamento.

Tunturi New fitness bv. non si assume alcuna responsabilità per ferite personali o per danni alle proprietà causati dal prodotto o dal suo utilizzo.

### Conservare queste istruzioni!

## Istruzioni di montaggio

### Prima di iniziare

Si consiglia di montare il prodotto utilizzando due chiavi regolabili. Vanno bene anche chiavi metriche di dimensioni corrette.

#### !! NOTA

- Le chiavi adatte (regolabili) "NON" sono fornite con il prodotto, né incluse nel kit di montaggio.
- È fortemente consigliato che l'assemblaggio di questa attrezzatura venga effettuato da due o più persone per evitare eventuali ferite.

### Illustrazione di descrizione A

L'illustrazione mostra l'aspetto del trainer una volta completato l'assemblaggio.

È possibile utilizzarla come riferimento durante l'assemblaggio, ma è importante seguire sempre i passaggi di assemblaggio nella sequenza corretta come illustrato.

### Illustrazione di descrizione B

L'illustrazione mostra quali componenti e parti sono presenti al momento del disimballaggio del prodotto.

#### !! NOTA

- Prestare attenzione quando si disimballa, le parti di piccole dimensioni potrebbero essere inserite o imballate negli spazi vuoti dei materiali utilizzati per proteggere il prodotto.
- Se una parte manca, contattare il rivenditore.

### Illustrazione di descrizione C

L'illustrazione mostra il kit di attrezzatura fornito con il prodotto. Il kit di attrezzatura contiene bulloni, rondelle, viti, dadi ecc. e gli strumenti necessari per installare correttamente il trainer.

### Illustrazione di descrizione D

Le illustrazioni mostrano di seguito l'ordine corretto con cui assemblare il trainer nel modo migliore.

#### ⚠ ATTENZIONE

- Assemblare l'apparecchio nell'ordine indicato.
- Per trasportare e spostare l'apparecchio sono necessarie almeno due persone.

#### ⚠ AVVISO

- Collocare l'apparecchio su una superficie stabile e in piano.
- Collocare l'apparecchio su una base protettiva per evitare danni alla superficie del pavimento.
- Consultare le illustrazioni per il corretto assemblaggio dell'apparecchio.

### Informazioni aggiuntive sull'installazione dei cavi

Prima di installare i cavi è importante:

- Slegare complimentante i cavi.
- Evitare che i cavi si attorciglino durante il transito sulle ruote della puleggia.

**⚠ AVVISO**

- Un cavo attorcigliato nell'installazione può causare la separazione della copertura di plastica protettiva esterna dal cavo di acciaio interno.
- Un cavo attorcigliato nell'installazione può causare l'attorcigliamento dei cavi o il malfunzionamento del ritorno dei dischi.

Prima di fissare il cavo sull'albero del selettore, bisogna instradare tutti i cavi sulla stazione. Anche il dado di bloccaggio deve essere girato completamente verso l'alto.

- Inserire l'estremità filettata del cavo nell'albero del selettore ruotandolo il più possibile in senso orario.
- Bloccare il fissaggio girando saldamente il dado di bloccaggio in senso orario.

**⚠ AVVERTENZA**

- Tutti i cavi con estremità regolabili filettate devono avere almeno 15 mm (1/2") di filettatura nella sua controparte. È molto importante che il controdado sia serrato nella controparte utilizzando una chiave per assicurarsi che l'estremità regolabile filettata del cavo non esca dalla controparte stessa.

**Corretto tensionamento del cavo**

Il corretto tensionamento del cavo è quello in cui la pila dei pesi ritorna lentamente in posizione, mantenendo un tensionamento allentato quando la pila dei pesi è in posizione di riposo. Ci dovrebbe essere pochissima tensione quando si inizia un esercizio usando la pila di pesi come carico.

**!! NOTA**

- Quando il perno del selettore dei pesi non riesce a bloccare bene il carico di peso richiesto perché l'albero del selettore è leggermente sollevato quando il perno del selettore è fuori, la tensione del cavo dovrebbe essere allentata.

**!! NOTA**

- A causa del consumo normale del cavo, nel corso del tempo può leggermente stirarsi. Anche i paracolpi dei dischi possono venire leggermente compressi. Pertanto, dopo un certo periodo di utilizzo potrebbe essere necessario regolare nuovamente il cavo. Ciò dipende essenzialmente dall'utilizzo e dalla lunghezza totale del cavo.

**Zona libera (Fig. D-0)****Uno spazio adeguato è un prerequisito per l'uso.**

La zona libera non deve essere meno di 0,6 m più dell'area di allenamento\* nelle direzioni da cui si accede all'attrezzatura.

La zona libera deve comprendere anche la zona per lo smontaggio di emergenza. Se le apparecchiature sono posizionate l'una accanto all'altra, il valore della zona libera può essere condiviso.

\*La zona di allenamento è la lunghezza/larghezza/altezza massima del trainer, comprese le parti mobili, misurata alla lunghezza/larghezza/altezza massima durante l'uso.

**IMPORTANTE**

Dato che il tuo trainer verrà o potrà essere configurato nelle prime ore di utilizzo, ti consigliamo di fare un rapido controllo sulla minuteria che hai fissato durante il tuo assemblaggio. Sugeriamo di serrare nuovamente tutti i bulloni e i dadi dopo le prime sessioni di allenamento (circa 10 ore). Semplicemente per accertarsi che i bulloni e i dadi siano ancora ben serrati e garantire così la migliore prestazione del tuo trainer.

**!! NOTA**

Si consiglia di controllare regolarmente la minuteria, almeno una volta ogni 3 mesi.

**Informazioni aggiuntive****Smaltimento dell'imballo**

Le linee guide governative chiedono di ridurre la quantità di rifiuti smaltiti nelle discariche. Per questo vi chiediamo di smaltire in modo responsabile tutti i rifiuti d'imballo presso dei centri di riciclaggio pubblici.

**Smaltimento a fine vita**

Noi di Tunturi speriamo che possiate godervi molti anni di piacevole uso dal nostro fitness trainer. Tuttavia, arriverà il momento quando il vostro fitness trainer arriverà alla fine della sua vita utile. Secondo la Legislazione Europea WEEE voi siete responsabili per uno smaltimento appropriato del vostro fitness trainer presso una struttura di raccolta pubblica autorizzata.

**Note sul funzionamento****Selezione delle piastre pesi**

- Utilizzare il perno di selezione dei pesi per scegliere il numero di piastre pesi con cui effettuare gli esercizi.
- Non inserire il perno di selezione dei pesi mentre la pila di pesi o la piastra superiore sono in posizione elevata.
- Accertarsi che il perno di selezione dei pesi sia inserito completamente.
- Fare riferimento alla pagina del Grafico di resistenza dei pesi.
- Non usare mai manubri o altri mezzi per aumentare la resistenza dei pesi. Utilizzare solo piastre pesi fornite dal produttore.
- Per scopi di sicurezza quando l'attrezzatura non è in uso. Inserire il perno di blocco nel foro nell'asta guida per impedire il movimento delle piastre pesi.

**Linee guida per gli esercizi****Sviluppo muscolare e aumento di peso**

A differenza degli esercizi aerobici, che enfatizzano l'allenamento alla resistenza, gli esercizi anaerobici si focalizzano sull'allenamento della forza. Durante lo sviluppo delle dimensioni e della forza dei muscoli si può verificare un graduale aumento di peso. Mentre si sviluppa la massa muscolare, il corpo si adatta allo stress ricevuto. È possibile modificare la propria dieta includendo cibo come carne, pesce e verdura.

Questo cibo consente il recupero dei muscoli e il reintegro di importanti nutrienti dopo un allenamento intenso.

## **Forza e resistenza muscolare**

Per ottenere i vantaggi migliori dagli esercizi, è importante sviluppare un programma di esercizi che consenta di far lavorare in modo equo tutti i principali gruppi di muscoli.

Per aumentare la forza dei muscoli, seguire questo principio: L'aumento della resistenza e il mantenimento del numero di ripetizioni di un esercizio comporta un aumento della forza muscolare. Per tonificare il corpo, seguire questo principio: La diminuzione della resistenza e l'aumento del numero di ripetizioni di un esercizio comporta un aumento del tono muscolare.

Una volta che ci si trova a proprio agio con un esercizio, è possibile modificare la resistenza, il numero di ripetizioni o la velocità di esecuzione dell'esercizio. Non è necessario cambiare tutte e tre le variabili. Facciamo l'esempio di un allenamento con 10 kg e con l'esecuzione dell'esercizio per 10 volte in 3 minuti. Quando l'esercizio diventa troppo facile, si potrebbe decidere di iniziare a sollevare 12 kg per lo stesso numero di ripetizioni e nello stesso periodo di tempo. Il sollevamento di un peso maggiore per un tempo minore spesso sviluppa forza muscolare. Per ottenere sia forza che resistenza muscolare, si consiglia di eseguire ciascun esercizio con un numero di ripetizioni da 15 a 20 per serie.

## **Allenamento dell'intensità**

L'intensità dell'allenamento dipende dal proprio livello di fitness complessivo. L'eventuale dolore provato può essere diminuito riducendo il carico sui muscoli ed eseguendo un numero minore di serie.

Per evitare ferite, è necessario lavorare in modo graduale a un programma di esercizi e definire il carico per il proprio livello di forma individuale. Il carico deve essere aumentato assieme all'aumento del livello di forma.

Il dolore muscolare è abbastanza comune, specialmente quando si inizia per la prima volta a eseguire gli esercizi. Se il dolore continua per un lungo periodo, potrebbe essere necessario cambiare programma. Dopo un po', il proprio sistema muscolare si abituerà alla sollecitazione e allo sforzo che riceve.

## **Inizio di un programma di sviluppo della forza**

### **Riscaldamento**

Per iniziare ad allenare la forza, è importante effettuare stretching ed eseguire esercizi leggeri per un periodo da 5 a 10 minuti. Ciò consente di preparare il corpo all'esecuzione di esercizi più intensi aumentando la circolazione, aumentando la temperatura corporea e sviluppando più ossigeno nei muscoli.

### **Allenamento**

Per ciascun allenamento è importante ricordare che non è desiderabile la presenza di un dolore muscolare prolungato, poiché ciò potrebbe significare la presenza di una lesione.

### **Raffreddamento**

Al termine di ciascun allenamento, eseguire esercizi di stretching lenti per 5 - 10 minuti. Eseguire ciascun esercizio di stretching solo per l'intensità sopportata. Ciò consente ai propri muscoli di rilassarsi dopo l'allenamento.

Per ottenere un programma di allenamento totale si consiglia inoltre di eseguire da 2 a 3 giorni di esercizi aerobici in aggiunta all'allenamento della forza.

## **Assunzione di acqua**

Per un funzionamento ottimale, è necessario che il corpo venga idratato in modo corretto. Durante gli esercizi è necessario aumentare l'assunzione di fluidi. Il motivo è che l'acqua assunta uscirà dal sistema attraverso il meccanismo di sudorazione che raffredda il corpo durante gli esercizi. L'acqua persa attraverso gli esercizi deve essere sostituita per consentire un recupero corretto dei muscoli.

## **Giorno di riposo**

Anche se si pensa che potrebbe non essere necessario, prendersi un giorno di riposo almeno una volta alla settimana è importante perché offre al corpo la possibilità di risanarsi. Un allenamento continuo dei muscoli comporterà un sovrallenamento che nel lungo periodo non porterà vantaggio.

## **Pulizia e manutenzione**

- Lubrificare periodicamente le parti in movimento con WD-40 o olio leggero.
- Ispezionare e fissare tutte le parti prima di usare l'attrezzatura.
- L'attrezzatura può essere pulita utilizzando un panno umido e un detergente lieve non abrasivo. NON utilizzare solventi.
- Esaminare regolarmente l'attrezzatura per rilevare la presenza di segni di danneggiamento o usura.
- Sostituire immediatamente i componenti difettosi e/o evitare di utilizzare l'attrezzatura finché non sarà riparata.
- Se l'attrezzatura non viene esaminata regolarmente, ciò potrebbe influire sul livello di sicurezza.

## **Difetti e malfunzionamenti**

Nonostante il costante controllo di qualità, i singoli componenti possono causare difetti e malfunzionamenti all'apparecchio. Nella maggior parte dei casi, è sufficiente sostituire i componenti difettosi.

- Se l'apparecchio non funziona correttamente, contattare immediatamente il rivenditore.
- Fornire il numero di modello e il numero di serie dell'apparecchio al rivenditore. Comunicare la natura del problema, le condizioni d'uso e la data d'acquisto.

Ulteriori informazioni di contatto o manuali utente in altre lingue sono disponibili sul nostro sito Web.

## **Garanzia**

### **Garanzia dell'attrezzo sportivo Tunturi**

#### **Condizioni di garanzia**

Il consumatore beneficia dei diritti legali applicabili previsti dalla legislazione nazionale in materia di commercio di beni di consumo. La garanzia non limita tali diritti. La Garanzia dell'acquirente è valida solo se l'articolo viene utilizzato in un ambiente approvato da Tunturi New Fitness BV per quel determinato attrezzo. Le istruzioni relative all'ambiente e di manutenzione specifiche per il prodotto sono riportate nel "manuale utente" del prodotto. Il "manuale utente" può essere scaricato dal nostro sito web. <http://manuals.tunturi.com>

## **Garanzia limitata**

Tunturi New Fitness garantisce che questo prodotto è privo di difetti di costruzione e materiali, in base all'uso e alle condizioni di servizio normali, per un periodo di due anni per il telaio e di un anno per tutte le altre parti e componenti dalla data di acquisto. Questa garanzia si estende solo all'acquirente originale. L'obbligo di Tunturi New Fitness in base alla presente Garanzia è limitato alla sostituzione di parti danneggiate o guaste a discrezione di Tunturi New Fitness.

Tutti i resi devono essere preventivamente autorizzati da Tunturi New Fitness. La presente garanzia non si estende ad alcun prodotto o danno a prodotto causato o attribuibile a danneggiamento per carico, abuso, cattivo utilizzo, uso improprio o anomalo, riparazioni autonome da parte dell'acquirente o a prodotti utilizzati per scopi commerciali o di noleggio. Tunturi New Fitness non autorizza alcuna altra garanzia oltre a quella indicata sopra.

Tunturi New Fitness non è responsabile né si assume alcun obbligo per danni indiretti, speciali o consequenziali derivanti dall'uso o dalle prestazioni del prodotto, o ad essi connessi, o altri danni in relazione a qualsiasi perdita economica, perdita di proprietà, perdita di entrate o profitti, perdita di godimento o uso, costo di rimozione, installazione o altri danni consequenziali o di qualsiasi altra natura.

La garanzia qui esposta sostituisce qualsiasi altra garanzia, mentre qualsiasi garanzia implicita di commerciabilità o idoneità per uno scopo particolare è limitata nel proprio ambito e durata ai termini qui indicati.

**Ciò non influisce sui propri diritti legali.**

## **Dichiarazione di non responsabilità**

© 2025 Tunturi New Fitness BV  
Tutti i diritti riservati.

- Il prodotto e il manuale sono soggetti a modifiche.
- Le specifiche tecniche possono essere modificate senza preavviso.
- Vedere il nostro sito Web per la versione del manuale più recente.

## Español

Este manual español es una traducción del texto inglés. No se pueden derivar derechos de esta traducción. El texto original en inglés prevalecerá.

## ¡Bienvenido

### Información y precauciones

Este manual es una parte esencial del equipo de entrenamiento. Lea todas las instrucciones de este manual antes de comenzar a utilizar el equipo. Se deberán observar siempre las siguientes precauciones:

### Aviso importante de seguridad

Este equipo de fitness se ha fabricado para ofrecer un nivel óptimo de seguridad. Sin embargo, es preciso adoptar determinadas precauciones al manejar alguna pieza del equipo de fitness. Asegúrese de leer el manual completo antes de instalar o de utilizar el equipo. En particular, tenga en cuenta las siguientes precauciones de seguridad:

- Mantenga a los niños y las mascotas alejados del equipo en todo momento. NO deje haya ningún niño desatendido en la sala donde se encuentra el equipo.
- Sólo se puede utilizar el equipo de uno en uno.
- Si el usuario siente mareo, náusea, dolor de pecho o cualquier otro síntoma anormal, DETENGA inmediatamente el ejercicio. PÓNGASE EN CONTACTO CON UN MÉDICO INMEDIATAMENTE.
- Sitúe el equipo en una superficie despejada y nivelada. NO utilice el equipo cerca del agua o en exteriores.
- Mantenga las manos lejos de todas las piezas móviles.
- Lleve siempre puesta ropa deportiva adecuada al utilizar el equipo. NO se ponga ropa ni prendas que puedan quedar atrapadas en el equipo. También es preciso llevar zapatillas de jogging o aeróbic al utilizar el equipo.
- Utilice el equipo exclusivamente con el fin para el que fue concebido y que se describe en este manual. NO utilice accesorios no recomendados por el fabricante.
- No deje ningún objeto afilado en torno al equipo.
- Las personas discapacitadas no deben utilizar el equipo.
- Antes de utilizar el equipo en una sesión, realice ejercicios de estiramiento para calentarlo adecuadamente.
- Nunca utilice el equipo si su funcionamiento no es el adecuado.

#### Advertencia:

Antes de comenzar un programa de ejercicios, consulte a su médico. Esto es especialmente importante para personas de más de 35 años de edad o que hayan padecido previamente problemas de salud. Lea todas las instrucciones antes de utilizar cualquier equipo de fitness. Tunturi New Fitness bv no asume ninguna responsabilidad por las lesiones personales ni los daños sobre la propiedad provocados por el uso de este producto o que se deriven del mismo.

**Guarde estas instrucciones!**

## Instrucciones de montaje

### Antes de empezar

Recomendamos utilizar dos llaves ajustables para montar el producto. También sirven llaves de tamaño métrico correcto.

#### !! ATENCIÓN!

- Las llaves (ajustables) adecuadas "NO" se suministran con el producto, ni se incluyen en el kit de montaje.
- Se recomienda encarecidamente que el montaje de este equipo sea realizado por dos personas o más para evitar posibles lesiones.

- Asegúrese de que los tornillos de transporte se encuentran insertados en los orificios cuadrados de los componentes que se tienen que montar. Acople una arandela únicamente al extremo del tornillo de transporte.
- Use tornillos allen o tornillos de cabeza hexagonal insertados en el orificio circular de los componentes que se tienen que montar.
- Antes de apretar los tornillos, espere siempre a que se hayan instalado todos ellos en el banco. No apriete cada tornillo inmediatamente después de haberlo instalado.

### Descripción de la ilustración A

La ilustración muestra cuál debe ser el aspecto de la máquina una vez completado el montaje.

Puede utilizar esta ilustración como referencia durante el montaje, pero siga siempre los pasos de montaje en el orden correcto como se muestra en las ilustraciones.

### Descripción de la ilustración B

La ilustración muestra los componentes y las piezas que debe encontrar al desembalar el producto.

#### !! ATENCIÓN !!

- Preste atención al desembalar, es posible que las piezas pequeñas estén ocultas/emballadas en los espacios huecos utilizados como materiales de protección del producto.
- Si falta una pieza, contacte con su proveedor.

### Descripción de la ilustración C

La ilustración muestra el juego de tornillería que se suministra con el producto.

El juego de tornillería contiene pernos, arandelas, tornillos, tuercas, etc. y las herramientas necesarias para montar correctamente la máquina.

### Descripción de la ilustración D

Las ilustraciones muestran cómo montar mejor la máquina en el orden correcto.

#### ⚠ ADVERTENCIA

- Monte la máquina en el orden indicado.
- Al menos dos personas deben transportar y mover la máquina.

**⚠ PRECAUCIÓN**

- Coloque la máquina sobre una superficie firme y nivelada.
- Coloque la máquina sobre una base protectora para evitar daños en la superficie del suelo.
- Consulte las ilustraciones para el correcto montaje de la máquina.

**Información adicional de instalación del cable**

Antes de instalar los cables, es importante lo siguiente:

- Desenredar los cables completamente.
- Evitar que el cable se retuerce al pasar por las ruedas de polea.

**⚠ ADVERTENCIA**

- Un cable retorcido en la instalación puede causar la separación del revestimiento de protección de plástico exterior del cable de acero interior.
- Un cable retorcido en la instalación puede hacer que los cables se enreden o causar un retorno incorrecto de las placas de peso.

Antes de fijar el cable en el eje selector, deben tenderse primero todos los cables en la estación. La tuerca de bloqueo debe girarse completamente hacia arriba.

- Introduzca el extremo del cable roscado en el eje selector girándolo en el sentido de las agujas del reloj lo máximo posible.
- Asegure la fijación girando firmemente la tuerca de bloqueo en el sentido de las agujas del reloj.

**⚠ ADVERTENCIA**

- Todos los cables con extremos ajustables roscados deben tener al menos 15 mm (1/2") de las roscas introducidos en su pieza de acoplamiento.  
Es muy importante apretar la contratuerca con una llave a la pieza de acoplamiento para garantizar que el extremo ajustable roscado del cable no se salga de su acoplamiento.

**Tensión correcta del cable**

La tensión correcta del cable es aquella en la que la columna de pesas regresa suavemente, manteniendo una ligera tensión del cable cuando la columna de pesas está en posición de reposo. Al comenzar un entrenamiento utilizando la columna de pesas como carga, no debe haber prácticamente tensión.

**⚠ ATENCIÓN!**

- Si el pasador del selector de peso no puede fijarse con suavidad en la carga de peso requerida porque el eje selector se levanta ligeramente cuando el pasador del selector está fuera, es necesario aflojar la tensión del cable.

**!! ATENCIÓN!**

- Debido al desgaste normal del cable, este puede estirarse ligeramente a lo largo del tiempo. También, los amortiguadores de las placas de peso pueden comprimirse un poco. Por tanto, puede ser necesario llevar a cabo un reajuste del cable tras un periodo de uso. Esto depende en gran medida del uso y de la longitud total del cable.

**Zona libre (Fig. D-0)****Un requisito previo de uso es disponer del espacio adecuado.**

La zona libre debe tener más de 0,6 m que la \*zona de entrenamiento en las direcciones desde las que se accede al equipo. La zona libre debe incluir también la zona de bajada de emergencia. Cuando se colocan varios equipos unos junto a otros, se puede compartir el valor del área libre.

\*El área de entrenamiento es la longitud/anchura/altura máximas del entrenador, incluidas las piezas móviles, medidas hasta su máxima longitud/anchura/altura durante el uso.

**IMPORTANTE**

Puesto que el entrenador se puede configurar en las primeras horas de uso, recomendamos realizar una revisión rápida de la tornillería que se ha colocado durante el montaje. Sugerimos apretar todos los tornillos y las tuercas una vez más después de las primeras sesiones de entrenamiento (aproximadamente 10 horas). Solo para asegurar que los tornillos y las tuercas continúan bien apretados y lograr así el mejor rendimiento de su entrenador.

**!! NOTA**

Recomendamos comprobar la tornillería con regularidad, al menos una vez cada 3 meses.

**Información adicional****Eliminación de embalajes**

Las pautas gubernamentales exigen reducir la cantidad de residuos que se depositan en los basureros. Por este motivo, le rogamos que deseché los embalajes de manera responsable en centros públicos de reciclaje.

**Eliminación al final de la vida útil**

Desde Tunturi esperamos que disfrute de su equipo de entrenamiento durante muchos años. No obstante, llegará un momento en que éste llegue al final de su vida útil. Conforme a la Directiva WEEE (relativa a la gestión de residuos procedentes de equipos eléctricos y electrónicos) le corresponde a usted la responsabilidad de desechar adecuadamente su equipo de entrenamiento en un centro público autorizado de recogida.

**Notas de la operación****Selección de las pesas planas**

- Utilice el pasador selector de pesas para regular el número de pesas planas que se desea en el ejercicio.
- No inserte el pasador selector de pesas cuando la columna de pesas o la placa superior estén en posición elevada.
- Asegúrese de que el pasador selector de peso queda totalmente introducido.
- Consulte la página de la Tabla de resistencias de las pesas.
- Nunca utilice mancuernas ni ningún otro elemento para aumentar la resistencia que ofrecen las pesas. Utilice exclusivamente pesas planas proporcionadas por el fabricante.
- Por motivos de seguridad cuando no se usa el equipo. Inserte el pasador de bloqueo en el orificio de la varilla guía, impidiendo así el movimiento de las pesas planas.

## **Indicaciones para los ejercicios**

---

### **Fortalecimiento de los músculos y aumento de peso**

A diferencia del ejercicio aeróbico, que se centra en el entrenamiento de resistencia, el ejercicio anaeróbico se basa en el entrenamiento de fuerza. Puede que se produzca un aumento gradual de peso a medida que aumenta el tamaño y la fuerza de los músculos. Al desarrollar masa muscular, su cuerpo se adapta a la tensión a la que se le ha sometido. Puede modificar la dieta incluyendo alimentos tales como carne, pescado y verduras. Esos alimentos facilitan la recuperación de los músculos y permiten reponer nutrientes importantes tras una sesión extenuante.

### **Fuerza y resistencia de los músculos**

Para aprovechar al máximo el entrenamiento, es importante que desarrolle un programa de ejercicios que le permita trabajar por igual todos los grupos musculares principales.

Para aumentar la fuerza de los músculos, siga este principio: incrementar la resistencia y mantener el número de repeticiones de un ejercicio da como resultado el aumento de la fuerza muscular. Para tonificar el cuerpo, siga este principio: reducir la resistencia y aumentar el número de repeticiones de un ejercicio da como resultado el aumento del tono corporal. Una vez que se sienta cómodo con un ejercicio, puede modificar la resistencia, el número de repeticiones o la velocidad con la que realiza el ejercicio.

No es necesario modificar las tres variables. Por ejemplo, supongamos que el ejercicio se realiza con 10 kg. y 10 repeticiones en 3 minutos. Cuando empieza a ser demasiado sencillo, se puede decidir el aumento a 12 kg. para el mismo número de repeticiones y en el mismo tiempo. La consecuencia más frecuente de elevar más peso menos veces es el desarrollo de la fuerza muscular. Para conseguir tanto fuerza como resistencia muscular, se recomienda ejecutar entre 15 y 20 repeticiones por serie de cada ejercicio.

### **Intensidad del entrenamiento**

La dureza con la que comience a entrenar depende de su estado de forma general. Se puede atenuar el dolor muscular que se siente reduciendo la carga a la que se someten los músculos y realizando menos series. Para evitar lesiones, es preciso proceder a un trabajo gradual según un programa de ejercicios y ajustar la carga al estado de forma particular. La carga debe aumentar a medida que mejora el nivel de forma.

Es habitual sentir dolor muscular, especialmente cuando se empieza a ejecutar ejercicios. Si se siente dolor muscular durante mucho tiempo, puede ser conveniente cambiar el programa. Eventualmente, el sistema muscular se acostumbrará a la tensión y el esfuerzo a los que se somete.

### **Inicio de un programa de fortalecimiento muscular**

#### **Calentamiento**

Para comenzar un entrenamiento de fuerza, es importante calentar y realizar ejercicios suaves durante entre 5 y 10 minutos. De este modo se facilita la preparación del cuerpo para ejercicios más exigentes al aumentar la circulación, elevar la temperatura corporal y desarrollar la conducción de más oxígeno a los músculos.

#### **Sesión**

En cada sesión es preciso tener presente que no es deseable sentir dolor muscular durante mucho tiempo y que puede significar que se ha producido una lesión.

### **Recuperación**

Al final de cada sesión, realice lentamente ejercicios de estiramiento durante entre 5 y 10 minutos. Ejecute cada estiramiento llegando solamente hasta donde pueda. Esta fase permite que los músculos se relajen tras el entrenamiento.

Para que el programa de entrenamiento sea completo, también se recomienda dedicar 2 o 3 días a ejercicios aeróbicos de modo adicional al entrenamiento de fuerza.

### **Ingesta de agua**

Para que el cuerpo funcione adecuadamente, es preciso hidratarlo de modo apropiado. Si está haciendo ejercicio, debe aumentar la ingesta de fluidos. La razón para ello es que el agua que toma abandonará el sistema a través del sudor que sirve para refrigerar el cuerpo cuando se hace ejercicio. Es preciso que reponga el agua que pierde debido al ejercicio de modo que los músculos se puedan recuperar adecuadamente.

### **Día de descanso**

Aunque pueda no sentir necesidad de hacerlo, es importante tomar por lo menos un día de descanso a la semana para ofrecer al cuerpo la oportunidad de curarse por sí mismo del esfuerzo.

El trabajo muscular continuado provocará un exceso de entrenamiento que no será beneficioso a largo plazo

## **Limpieza y mantenimiento**

---

- Lubrique periódicamente las piezas móviles con wd-40 u aceite ligero.
- Inspeccione y apriete todas las piezas antes de utilizar el equipo.
- El equipo se puede limpiar utilizando un paño húmedo y detergente neutro no abrasivo. No utilice disolventes.
- Examine con regularidad el equipo para verificar que no hay indicios de daños ni desgaste.
- Sustituya inmediatamente cualquier componente defectuoso y/o deje el equipo fuera de servicio hasta su reparación.
- Si no se realizan las tareas de inspección periódica, el nivel de seguridad del equipo puede verse afectado.

### **Defectos y fallos**

A pesar del control de calidad continuo, la máquina puede presentar defectos y fallos ebidos a piezas individuales. En la mayoría de los casos, será suficiente sustituir la pieza defectuosa.

- Si la máquina no funciona correctamente, contacte inmediatamente con su proveedor.
- Facilite al proveedor el número de modelo y el número de serie de la máquina. Indique la naturaleza del problema, las condiciones de uso y la fecha de compra.

Información de contacto y manuales de los productos en otros idiomas se pueden encontrar en nuestros sitios web:

## Garantía

---

### Garantía del propietario del equipo Tunturi

#### Condiciones de la garantía

El cliente tiene derecho a los beneficios jurídicos aplicables recogidos en la legislación nacional relativa al comercio de bienes de consumo. Esta garantía no restringe dichos beneficios. La garantía del cliente solo será válida si se utiliza el producto en un entorno autorizado por Tunturi New Fitness BV y se mantiene tal como se indica para el equipo concreto. Las instrucciones de mantenimiento y medioambientales aprobadas específicas del producto se indican en el "manual del usuario" del producto. El "manual de usuario" se puede descargar en nuestro sitio web. <http://manuals.tunturi.com>

#### Garantía limitada

Tunturi New Fitness garantiza, en condiciones de uso normal y mantenimiento adecuado, la ausencia de defectos debidos a materiales o mano de obra en este producto durante un periodo de dos años en el bastidor y de un año en el resto de piezas y componentes, a partir de la fecha de compra. Esta garantía es aplicable exclusivamente al comprador original. Las obligaciones de Tunturi New Fitness relativas a la aplicación de esta garantía se limitan a la sustitución de las piezas dañadas o averiadas, a decisión de Tunturi New Fitness.

Todas las devoluciones deben ser previamente autorizadas por Tunturi New Fitness. Esta garantía no es aplicable a los productos cuyo deterioro esté causado por, o se pueda atribuir a, daños por transporte, maltrato, uso incorrecto, inadecuado o anormal, reparaciones realizadas por los propios compradores o en productos empleados para fines comerciales o de alquiler.

Aparte de la garantía que se acaba de indicar específicamente, ninguna otra está autorizada por Tunturi New Fitness.

Tunturi New Fitness no podrá ser considerado responsable en caso de daños indirectos, especiales o consecuentes derivados de, o relacionados con, el uso o el funcionamiento del producto u otros daños relativos a pérdidas económicas, pérdida de propiedades, pérdida de ingresos o beneficios, pérdida de posibilidad de uso o disfrute, coste de retirada, instalación u otros daños consecuentes cualquiera que sea su naturaleza.

La garantía que figura a continuación sustituye a cualesquiera otras, y cualquier garantía implícita de comercialización o idoneidad para un propósito particular se limitará en su alcance y duración a los términos aquí establecidos.

**En ningún caso se verán afectados sus derechos legales.**

## Descargo de responsabilidad

---

© 2025 Tunturi New Fitness BV  
Reservados todos los derechos.

- Tanto el producto como el manual están sujetos a modificaciones.
- Las modificaciones se pueden cambiar sin aviso.
- Consulte nuestra página web para descargar la versión del manual de usuario más reciente.

## På svenska

Denna handbok är en översättning av den engelska texten. Vi förbehåller oss rätten till eventuella översättningsfel. Den engelska originaltexten råder.

## Välkommen

### Viktiga instruktioner om säkerhet

Denna handbok är en viktig del av din träningsutrustning. Läs alla instruktioner i den här handboken innan du börjar använda denna utrustning. Följande försiktighetsåtgärder måste alltid följas:

### Viktigt säkerhetsmeddelande

Denna utrustning är konstruerad för optimal säkerhet. Vissa försiktighetsåtgärder gäller dock när du använder träningsutrustning. Var noga med att läsa hela bruksanvisningen innan du monterar eller använder din utrustning. Observera särskilt följande säkerhetsåtgärder:

- Håll alltid barn och husdjur borta från utrustningen. Lämna INTE barn oövervakade i samma rum som utrustningen.
- Endast en person åt gången ska använda utrustningen.
- STOPPA OMEDELBART träningspasset om du som användare upplever yrsel, illamående, bröstsmärta eller andra onormala symptom. KONTAKTA OMEDELBART LÄKARE. Placera utrustningen på en fri, jämn yta. Använd INTE utrustningen nära vatten eller utomhus.
- Håll händerna borta från alla rörliga delar.
- Bär alltid lämplig träningskläder när du tränar. Använd INTE badrock eller annan klädsel som kan fastna i utrustningen. Löpar- eller tränings skor är också nödvändiga vid användning av utrustningen. Använd endast utrustningen för det avsedda ändamålet och enligt beskrivningen i den här bruksanvisningen. Använd INTE tillbehör som inte rekommenderas av tillverkaren.
- Placera aldrig skarpa föremål i närheten av utrustningen.
- Handikappade personer bör inte använda utrustningen.
- Utför alltid stretchövningar för att värma upp ordentligt innan du använder utrustningen för att träna.
- Använd aldrig utrustningen om den inte fungerar korrekt.

#### Varning:

Rådfråga din läkare innan du börjar med ett träningsprogram. Detta är särskilt viktigt för personer över 35 års ålder eller personer som har hälsoproblem sedan tidigare.

Läs alla instruktioner innan du använder någon träningsutrustning. Tunturi New fitness bv. påtar sig inget ansvar för personskador eller egendomsskador som uppstår av eller vid användning av denna produkt.

### Spara dessa instruktioner!

## Viktig monteringsinformation

### Innan du sätter igång

Vi rekommenderar att du använder två justerbara skiftnycklar för att montera din produkt. Om du har metrisk skiftnycklar i rätt storlek är det också en fördel.

## !! OBS

- Lämpliga (justerbara) skiftnycklar medföljer "INTE" med produkten och ingår inte heller i monteringssetsen.
- För att undvika risken för personskada rekommenderar vi starkt att utrustningen monteras av två eller fler personer.

### Beskrivning illustration A

På illustrationen kan du se hur träningsredskapet ska se ut efter att monteringen har slutförts.

Du kan använda illustrationen som referens under monteringen, men följ alltid stegen i monteringsinstruktionerna i rätt ordning.

### Beskrivning illustration B

På illustrationen kan du se vilka komponenter och delar som du ska hitta när du packar upp produkten.

## !! OBS!

- Var uppmärksam när du packar upp, små delar kan ligga gömda/vara nedpackade i ihåliga utrymmen i produktens skyddsmaterial.
- Om någon del saknas, kontakta din återförsäljare.

### Beskrivning illustration C

På illustrationen visas de monteringsdelar som följer med produkten. Monteringsdelarna omfattar bultar, brickor, skruvar, muttrar etc. och de verktyg du behöver för att kunna montera träningsredskapet korrekt.

### Beskrivning illustration D

På illustrationerna visas i rätt ordning hur träningsredskapet ska monteras på bästa sätt.

## ⚠ VARNING

- Montera utrustningen i angiven ordning.
- Var två om att bära och förflytta utrustningen.

## ⚠ OBS.

- Placera utrustningen på en stabil och jämn yta.
- Placera utrustningen på en skyddande grund för att förhindra att golvet skadas.
- Illustrationerna visar det korrekta sättet att montera utrustningen.

## !! ANMÄRKNING

- Spara verktygen som följer med denna produkt när monteringen är klar så att du kan använda dem för framtida servicearbeten.

### Ytterligare monteringsinformation kabelinstallation

Före kabelinstallationen är följande viktigt:

- Att reda ut kablarna helt och hållet.
- Att undvika att kabeln vrids när den passerar över trissorna.

## ⚠ VARNING

- En kabel som vrids vid installation kan resultera i att den yttre skyddsplastbeläggningen separeras från den inre stålkabeln.
- En kabel som vrids vid installation kan resultera i att kablarna trasslar sig eller fel funktion vid retur av viktplattorna.

Innan kabeln fästs på väljaraxeln ska alla kablar dras genom hela stationen först. Låsmuttern måste också vridas till helt.

- Montera den gängade kabeländen i väljaraxeln genom att vrida den medurs så långt som möjligt.
- Säkra den genom att vrida låsmuttern ordentligt medurs.

**⚠ VARNING**

- Alla kablar med gängade justerbara ändar måste ha minst 15 mm (1/2") av gängorna fästa i sin motpart. Det är mycket viktigt att syltmuttern dras åt mot motparten så att kabelns gängade ände inte kommer ut ur sin motpart.

**Korrekt kabelspänning**

Den korrekta kabelspänningen är när viktstapeln återgår smidigt, och bibehåller en lös vajer spänning när viktstapeln är i viloläge.

Det bör knappt finnas minsta spänningsmoment när du startar ett träningspass med viktstapeln som belastning.

**!! OBS**

- Om viktväljarstiftet inte smidigt låser den önskade viktbelastningen pga att väljaraxeln lyfts något när väljarstiftet är utdragen, bör kabelspänningen lossas.

**!! OBS**

- Till följd av normalt kabelslitage kan kabeln sträckas ut något med tiden. Även viktplattans dämpning kan tryckas ihop något. Därför kan det bli nödvändigt att justera om kabeln efter en tids användning. Det här beror mycket på användning och total kabellängd.

**Fritt utrymme (Fig. D-0)****Tillräckligt med fritt utrymme är ett krav för användning.**

Det fria utrymmet ska vara minst 0,6 m större än \*träningstrymmet i de riktningar från vilka utrustningen används.

Det fria utrymmet ska även inkludera området för nödnedstigning.

På platser där utrustning är placerad näst intill varandra kan det fria utrymmet delas.

\*Träningstrymmet är den maximala längden/bredden/höjden på träningsmaskinen (inklusive rörliga delar) under användning.

**VIKTIG**

Eftersom din träningsmaskin kommer/kan ställa in de första timmarna rekommenderar vi att du gör en snabb kontroll av hårdvaran du monterat under hopsättningen.

Vi föreslår att du drar åt alla skruvar och muttrar igen efter de första träningspassen (ungefär 10 timmar).

För att säkerställa att skruvarna och muttrarna fortfarande är väl åtdragna för bästa möjliga prestanda hos din träningsmaskin.

**!! ANMÄRKNING**

Vi rekommenderar att du kontrollerar hårdvaran regelbundet, minst en gång var tredje månad.

**Ytterligare information****Bortskaffande av förpackning**

Riktlinjer från myndigheter uppmanar att vi minskar mängden avfall som placeras i deponier. Vi ber dig därför att bortskaffa allt förpackningsavfall på ett ansvarsfullt sätt på allmänna återvinningscentraler.

**Bortskaffande av uttjänt redskap**

Vi på Tunturi hoppas att du får många års trevlig användning av ditt träningsredskap. Men det kommer en tid när ditt träningsredskap är uttjänt. Enligt den europeiska WEEE-lagstiftningen, ansvarar du för korrekt bortskaffande av ditt träningsredskap på en allmän återvinningsanläggning.

**Användningsinformation****Val av viktplatta**

- Använd viktväljarsprinten för att välja önskat antal viktplattor för din träning.
- Sätt inte i viktväljarsprinten medan viktstapeln eller toppplattan är i upphöjd position.
- Säkerställ att viktväljarsprinten är helt införd.
- Se sidan med viktbelastningsschemat.
- Använd aldrig hantlar eller annat för att öka viktbelastningen. Använd endast viktplattor som tillhandahålls av tillverkaren.
- Av säkerhetsskäl när utrustningen inte används: Sätt i låssprinten i hålet på gudestängen för att förhindra att viktplattorna rör sig.

**Riktlinjer för träning****Bygga muskler och gå upp i vikt**

Till skillnad från aerobic-övningar, som betonar uthållighetsträning, fokuserar anaerobic-övningar på styrketräning. En gradvis viktökning kan uppstå när musklernas storlek och styrka byggs upp. Medan du utvecklar muskelmassan anpassar sig din kropp till de påfrestningar som läggs på den. Du kan modifiera din kost så att den inkluderar livsmedel som kött, fisk och grönsaker.

Dessa livsmedel hjälper musklerna att återhämta sig och fyller på viktiga näringsämnen efter ett ansträngande träningspass.

**Muskelstyrka och uthållighet**

För att uppnå största möjliga nytta av träningen är det viktigt att utveckla ett träningsprogram som gör att du kan arbeta igenom alla större muskelgrupper lika mycket.

Följ denna princip för att öka muskelstyrkan:

Ett ökande motstånd och upprätthållande av antalet upprepningar av en övning resulterar i ökad muskelstyrka.

Följ denna princip för att forma din kropp: Ett minskande motstånd plus ett ökat antal upprepningar av en övning resulterar i ökad kroppsformning.

När du känner dig bekväm med en övning kan du ändra motståndet, antalet upprepningar eller den hastighet som du genomför övningen på. Det är inte nödvändigt att ändra alla de tre variablerna. Låt oss till exempel säga att du tränar vid 10 kg och utför övningen 10 gånger på 3 minuter. När detta blir för lätt kan du bestämma dig för att lyfta 12 kg samma antal upprepningar på samma tid. Att lyfta högre vikter färre gånger utvecklar ofta muskelstyrka. För att uppnå både muskelstyrka och uthållighet rekommenderas att du repeterar varje övning 15 till 20 gånger per träningspass.

**Träningsintensitet**

Hur hårt du börjar träna beror på din övergripande konditionsnivå. Den eventuella ömhet du upplever kan minska genom att du minskar belastningen på dina muskler och genom att utföra färre pass.

För att undvika skada bör du gradvis arbeta dig in i ett träningsprogram och anpassa belastningen till din individuella konditionsnivå. Belastningen ska öka när din konditionsnivå ökar.

Träningsvärk är vanligt, särskilt när du först börjar träna. Om du har ont under en längre tid kan det vara dags att ändra ditt program. Så småningom blir ditt muskelsystem vant vid påfrestningarna och belastningarna.

## Börja ett styrketränningsprogram

### Uppvärmning

För att börja styrketräningen är det viktigt att stretcha och utföra lättare övningar under 5 till 10 minuter. Detta hjälper till att förbereda kroppen på mer ansträngande övningar genom att öka cirkulationen, höja din kroppstemperatur och utveckla mer syre till dina muskler.

### Träning

Vid varje träningspass måste man komma ihåg att muskelvärk som håller i sig lång tid i inte är önskvärt och kan innebära att en skada har uppstått.

### Varva ned

Utför långsamma stretchövningar under 5 till 10 minuter vid slutet av varje träningspass. Vila i varje sträckning och gå bara så långt du kan. Det här steget gör att dina muskler kan varva ner efter träningen.

För ett fullständigt träningsprogram rekommenderas också att 2 till 3 dagar aerobic-träning genomförs utöver styrketräningen.

### Dricka vatten

För att kroppen ska fungera korrekt måste den vara ordentligt hydrerad. Om du tränar ska du öka ditt vätskeintag. Anledningen till detta är att vattnet du tar in lämnar ditt system genom svettningmekanismen som kyler din kropp under träningen. Vattnet du förlorar genom träning måste ersättas så att musklerna kan återhämta sig ordentligt.

### Vilodag

Även om du kanske inte känner för det så är det viktigt att du tar en vilodag minst en gång i veckan, eftersom det ger din kropp en chans att läka sig själv. Kontinuerligt arbete med dina muskler resulterar i överträning som inte kommer att vara till nytta på lång sikt.

## Rengöring och underhåll

- Smörj rörliga delar regelbundet med WD-40 eller lätt olja.
- Kontrollera och dra åt alla delar innan utrustningen används.
- Utrustningen kan rengöras med en fuktig trasa och ett mildt rengöringsmedel. ANVÄND INTE lösningsmedel.
- Kontrollera regelbundet om utrustningen uppvisar tecken på skador eller slitage.
- Byt alla defekta komponenter omedelbart och/eller använd inte utrustningen innan den är reparerad.
- Underlåtenhet att regelbundet undersöka utrustningen kan påverka dess säkerhetsnivå.

### Fel och funktionsstörningar

Trots ständig kvalitetskontroller, kan fel och funktionsstörningar inträffa som orsakas av enstaka delar. I de flesta fallen räcker det med att byta ut den felaktiga delen.

- Om utrustningen inte fungerar korrekt, kontakta omedelbart återförsäljaren.
- Lämnna utrustningens modellnummer och serienummer till återförsäljaren. Ange problemets art, förhållanden vid användning och inköpsdatum.

Ytterligare kontaktuppgifter eller bruksanvisningar på andra språk finns på vår webbsida.

## Garanti

### Tunturis årgarantitunt

#### Garantivillkor

Konsumenten har rätt till tillämpliga lagliga rättigheter som anges i den nationella lagstiftningen om handel med konsumentvaror. Denna garanti begränsar inte dessa rättigheter. Köparens garanti är endast giltig om produkten används i en miljö som är godkänd av Tunturi New Fitness BV och underhålls enligt instruktionerna för den specifika utrustningen. Den produktspecifika godkända miljön och underhållsinstruktionerna anges i produktens "användarhandbok". "Användarhandboken" kan laddas ned från vår webbplats. <http://manuals.tunturi.com>

#### Begränsad garanti

Tunturi New Fitness garanterar att denna produkt är fri från defekter i utförande och material, under normala användnings- och serviceförhållanden, för en period om två år för ramen och ett år för alla andra delar och komponenter från inköpsdatum. Denna garanti omfattar endast den ursprungliga köparen. Tunturi New Fitness skyldighet enligt denna garanti är begränsad till att ersätta skadade eller felaktiga delar enligt Tunturi New Fitness eget gottfinnande.

Alla returer måste först godkännas av Tunturi New Fitness. Denna garanti omfattar inte någon produkt eller skada på en produkt som orsakas av eller hänför sig till fraktskador, missbruk, felaktig eller onormal användning, köparens egna reparationer eller för produkter som används för kommersiella eller uthyrningsändamål. Ingen annan garanti än vad som särskilt anges ovan är godkänd av Tunturi New Fitness.

Tunturi New Fitness är inte förpliktigade eller ansvariga för indirekta, speciella eller följdskador som uppstår på grund av eller i samband med användningen eller utförandet av produkten eller andra skador med avseende på ekonomisk förlust, förlust av egendom, inkomstförlust eller vinst, förlust av nöjen eller användning, kostnader för borttagning, installation eller andra följdskador eller annat av samma natur.

Garantiomfattningen gäller i stället för alla andra garantier, eventuella underförstådda garantier gällande säljbarhet eller lämplighet för ett visst ändamål är begränsade inom dess omfattning och varaktighet till de villkor som anges här.

### Dina lagstadgade rättigheter påverkas inte.

## Friskrivning

© 2025 Tunturi New Fitness BV  
Alla rättigheter förbehålles.

- Produkten och handboken kan komma att ändras.
- Specifikationer kan ändras utan förvarning.
- På vår webbplats finns den senaste bruksanvisningen.

## Suomeksi

Tämä suomennettu käyttöohje on käännetty Englannin kielestä. Pidätämme oikeudet mahdollisiin käännösvirheisiin. Käännös tehty virallisen, englanninkielisen version pohjalta.

## Tervetuloa

### Tärkeitä turvallisuusohjeita

Tämä opas on olennainen osa kuntolaitettasi. Perehdy ohjeisiin huolellisesti ennen kuin alat käyttää kuntolaitettasi. Noudata aina seuraavia varotoimia:

### Tärkeä turvallisuusilmoitus

Tämä kuntoilulaite on suunniteltu erittäin turvallisiksi. Tiettyjä varotoimia on kuitenkin noudatettava kuntoilulaitetta käytettäessä. Varmista, että luet kaikki käyttöohjeet, ennen kuin asennat laitteesi tai käytät sitä. Huomaa erityisesti seuraavat turvallisuusvarotoimet:

- Pidä lapset ja lemmikit aina loitolla laitteesta. ÄLÄ jätä lapsia valvomatta samaan huoneeseen, jossa laite on.
- Laitetta saa käyttää vain yksi henkilö kerrallaan.
- Jos sinua alkaa huimata taikka tunnet pahoinvointia, rintakipua tai muita epänormaaleja oireita, LOPETA harjoittelu heti. OTA VÄLITTÖMÄSTI YHTEYTTÄ LÄÄKÄRIIN. Sijoita laite esteettömälle, tasaiselle pinnalle. ÄLÄ käytä laitetta veden lähellä tai ulkona.
- Pidä kädet aina riittävän etäällä laitteen liikkuvista osista.
- Pukeudu aina sopiviin kuntoiluvaatteisiin harjoitellessasi. ÄLÄ pukeudu hameisiin tai muihin vaatteisiin, jotka voivat jäädä kiinni laitteeseen. Laitteen käyttöön tarvitaan myös juoksu- tai aerobickengät. Käytä laitetta vain näissä käyttöohjeissa kuvattuun tarkoitukseen ja kuvatulla tavalla. ÄLÄ käytä lisävarusteita, joita valmistaja ei ole suositellut.
- Älä aseta teräviä esineitä laitteen ympärille.
- Vammaiset eivät saa käyttää laitetta.
- Lämmittele aina hyvin ennen kuntoilulaitteen käyttöä tekemällä venyttelyharjoituksia.
- Älä koskaan käytä laitetta, jos se ei toimi oikein.

#### Varoitus:

Kysy lääkäriltäsi neuvoja ennen minkään kuntoiluohjelman aloittamista. Tämä on erityisen tärkeää yli 35-vuotiailla tai henkilöillä, joilla on ennestään terveysongelmia. Lue kaikki ohjeet ennen minkään kuntolaitteen käyttöä. Tunturi New fitness bv. ei ota mitään vastuuta henkilö- tai omaisuusvahingoista, jotka aiheutuvat tämän laitteen käytöstä tai tämän laitteen käytön kautta.

### Säilytä nämä ohjeet!

## Tärkeitä asennustietoja

### Ennen kuin aloitat

Suosittellemme käyttämään kahta säädettävää jakoavainta tuotteen kokoamiseen. Jos sinulla on oikean kokoisia metrijärjestelmän avaimia, se sopii myös.

#### !! HUOMAUTUS

- Sopivia (säädettäviä) avaimia "E1" toimiteta tuotteen mukana, eivätkä ne sisälly asennussarjaan.
- Loukkaantumisen välttämiseksi on erittäin suositeltavaa, että tämän laitteen asennukseen osallistuu vähintään kaksi henkilöä.

### Kuvan A kuvaus

Kuvassa on esitetty, miltä harjoituslaite näyttää, kun asennus on saatu valmiiksi.

Voit käyttää tätä viitteenä asennuksen aikana, mutta tee asennusvaiheet aina oikeassa järjestyksessä kuvien mukaisesti.

### Kuvan B kuvaus

Kuvassa on esitetty, mitä komponentteja ja osia sinun tulisi löytää poistaessasi tuotteen pakkauksesta.

#### !! HUOMAUTUS!!

- Kiinnitä huomiota pakkauksen purkamiseen, pieniä osia voi olla huomaamattomasti pakattuna tuotteen suojamateriaalien onttoihin tiloihin.
- Jos osa puuttuu, ota yhteys jälleenmyyjään.

### Kuvan C kuvaus

Kuvassa on esitetty tuotteesi mukana tuleva välinepaketti. Välinepaketti sisältää pultit, aluslaatat, ruuvit, mutterit jne. sekä tarvittavat työkalut harjoittelulaitteen asianmukaiseen asennukseen.

### Kuvan D kuvaus

Kuvassa on esitetty oikea järjestys, jota noudattamalla harjoittelulaitteen asennus onnistuu parhaiten.

#### ⚠ VAROITUS

- Kokoonpane laite esitetyssä järjestyksessä.
- Vähintään kahden henkilön on kannettava ja siirrettävä laitetta.

#### ⚠ HUOMAUTUS

- Sijoita laite kovalle, tasaiselle alustalle.
- Asettakaa laite suojalustalle lattiapinnan vaurioiden estämiseksi.
- Katso piirroksesta laitteen oikea asennus.

#### !! ILMOITUS

- Kun olet suorittanut asennuksen loppuun, pane tämän tuotteen mukana toimitetut työkalut talteen tulevia huoltotoimia varten.

### Asennusta koskevia lisätietoja vaijerien asentaminen

Ennen vaijerien asentamista on tärkeää:

- suoristaa vaijerit kunnolla
- estää vaijerien kiertyminen, kun ne viedään väkipyörien yli.

#### ⚠ VAROITUS

- Jos kokoonpanossa on kiertynyt vaijeri, ulkopintaa suojaava muovipinnoite voi irrota sisällä olevasta teräsvarjierista.

- Kiertynyt vaijeri kokoonpanossa voi aiheuttaa vaijerien sotkeentumista tai ongelmia painolevyjen palautumisessa.

Ennen kuin kiinnität kaapelin valitsinakseliin, kaikki kaapelit tulee ensin vetää aseman läpi. Myös lukitusmutteri on käännettävä kokonaan ylös.

- Asenna kaapelin kierrepää valitsinakseliin kääntämällä sitä myötöpäivään mahdollisimman pitkälle.
- Varmista kiinnitys kääntämällä lukkomutteria tiukasti myötöpäivään.

#### **⚠ VAROITUS**

- Kaikista kaapeleista, joissa on kierteiset säädettävät päät, on kierrettävä vähintään 15 mm (1/2") kierteistä vastaosaansa. On erittäin tärkeää, että vastamutteri kiristetään vastaosaan sen varmistamiseksi, että kaapelin kierteinen säädettävä pää ei pääse palaamaan vastaosastaan.

#### **Oikea kaapelin kireys**

Oikea kaapelin kireys on kohdassa, jossa painopino palautuu tasaisesti ja pitää kaapelin löysänä, kun painopino on lepoasennossa. Kun aloitat harjoituksen käyttämällä painopinoa kuormana, jännitystä ei pitäisi olla lähes lainkaan.

#### **!! HUOMAUTUS**

- Kaapelin kireyttä on löysättävä, kun painonvalitsintappi ei pysty kiinnittämään vaadittua painokuormaa tasaisesti, koska valitsinakseli on hieman koholla valitsintapin ollessa irti.

#### **!! HUOMAUTUS!!**

- Normaalin kulumisen vuoksi vaijeri saattaa ajan myötä hieman venyä. Myös painolevyjen puskurit voivat puristua hieman kokoon. Siksi vaijeria voi olla syytä säätää ajoittain. Tämä riippuu paljon käytöstä ja vaijerin kokonaispituudesta.

#### **Vapaa alue (Kuva D-0)**

##### **Riittävä tila on käytön edellytys.**

Vapaan alueen on oltava vähintään 0,6 metriä suurempi kuin \*harjoittelualue niiden suuntien osalta, joista laitteeseen noustaan. Vapaa-alueeseen on sisällyttävä myös alue hätäpoistumista varten. Jos laitteet on sijoitettu vierekkäin, vapaan alueen arvo voidaan jakaa.

\*Harjoittelualue on harjoituslaitteen suurin pituus/leveys/korkeus, mukaan lukien liikkuvat osat, mitattuna sen suurimpaan pituuteen/leveyteen/korkeuteen käytön aikana.

#### **TÄRKEÄ**

Koska harjoituslaite asettuu/voi asettua ensimmäisten käyttötuntien aikana, suosittelemme, että teet pikatarkastuksen asennuksen aikana asennetuille laitteille.

Suosittelamme, että kaikki pultit ja mutterit kiristetään uudelleen muutaman ensimmäisen harjoituskerran jälkeen (noin 10 tuntia). Varmista, että pultit ja mutterit on edelleen kiristetty kunnolla, jotta harjoituslaite toimisi parhaalla mahdollisella tavalla.

#### **!! ILMOITUS**

Suosittelamme laitteiden tarkistamista säännöllisesti, vähintään 3 kuukauden välein.

#### **Lisätietoa laitteen omistajalle**

##### **Pakkauksen hävittäminen**

Lainsäädäntö ohjeistaa meitä vähentämään kaatopaikoille toimitetun jätteen määrää. Sen vuoksi pyydämme sinua toimittamaan kaikki pakkausjätteet sitä varten tarkoitettuun kierrät

#### **Laitteen hävittäminen käyttöiän päättyessä**

Me Tunturilla toivomme, että iloitset kuntolaitteestasi vuosia. Jokainen kuntolaite tulee kuitenkin aikanaan oman käyttöikänsä loppuun. Kotitalouksien sähkö- ja elektroniikkalaiteromua käsittelevien eurooppalaisten määräysten (WEEE) mukaan sinun kuuluu toimittaa kuntolaitteesi sitä varten tarkoitettuun keräyspaikkaan.

#### **Käyttöä koskevia huomautuksia**

##### **Painolevyjen valitseminen**

- Valitse harjoitukseen käytettävien painolevyjen määrä valintatapilla.
- Älä aseta valintatappia paikalleen painopinon tai ylälevyn ollessa kohotettuna.
- Varmista, että valintatappi on kokonaan paikallaan.
- Katso sivua, jossa on painovastustaulukko.
- Älä koskaan käytä käsipainoja tai muita keinoja painovastuksen lisäämiseen. Käytä vain valmistajan toimittamia painolevyjä.
- Turvallisuuden varmistamiseksi laitteen ollessa poissa käytöstä. Aseta lukkotappi ohjainputken reikään, jotta painolevyt eivät pääse liikkumaan.

#### **Harjoitteluohjeet**

##### **Lihasten kasvattaminen ja painon nouseminen**

Toisin kuin aerobisessa harjoittelussa, jossa korostetaan kestävyysharjoittelua, anaerobisessa harjoittelussa keskitytään voimaharjoitteluun. Paino voi nousta asteittain, kun lihasten kokoa ja voimaa kasvatetaan. Lihasmassaa kehitettäessä kehosi mukautuu siihen kohdistuvaan rasitukseen. Voit muokata ruokavaliotasi niin, että siihen sisältyy esimerkiksi lihaa, kalaa ja vihanneksia. Nämä ruoka-aineet auttavat lihaksia palautumaan ja täydentävät tärkeiden ravintoaineiden määrää rasittavan harjoittelun jälkeen.

##### **Lihassoima ja kestävyys**

Jotta harjoittelusta saa suurimman mahdollisen hyödyn, on tärkeää laatia kuntoiluohjelma, jonka ansiosta saat harjoitettua kaikkia tärkeitä lihasryhmiä tasapuolisesti.

Jos haluat lisätä lihasvoimaa, noudata tätä periaatetta:

Lihassoima lisääntyy, kun vastusta lisätään ja harjoituksen toistomäärä pidetään samana.

Jos haluat kiinteyttää vartaloasi, noudata tätä periaatetta: Vartalo kiinteytyy, kun vastusta vähennetään ja harjoituksen toistomäärää lisätään.

Kun harjoitus tuntuu helpolta, voit muuttaa vastusta, toistomäärää tai nopeutta, jolla teet harjoituksen. Kaikkia kolmea muuttujaa ei ole tarpeen muuttaa. Voit esimerkiksi harjoitella 10 kg:n painolla ja tehdä harjoituksen 10 kertaa 3 minuutissa. Kun tästä tulee liian helppoa, voit päättää nostaa painoksi 12 kg ja tehdä saman toistomäärän samassa ajassa. Lihassoima kehittyy useimmiten nostamalla suurempia painoja vähempiä kertoja. Jos haluat kehittää sekä lihasvoimaa että kestävyyttä, suositeltavaa on, että teet jokaisessa harjoituksessa 15–20 toistoa sarjaa kohden.

## Harjoituksen rasiustaso

Se, miten kovaa alat harjoitella, riippuu yleisestä kuntotasostasi. Kokemaasi kipua voi pienentää vähentämällä lihaksiisi kohdistuvaa kuormaa ja tehtyjen sarjojen määrää.

Vammojen välttämiseksi sinun pitäisi täydentää kuntoiluohjelmaa asteittain ja määrittää kuormitus yksilöllisen kuntotasosi mukaan. Kuormituksen pitäisi kasvaa kuntosi kasvaessa.

Lihaskipu on yleistä, erityisesti aloittaessasi harjoittelun. Jos kipu tuntuu pahalta ja kestää pitkään, sinun on ehkä muutettava ohjelmaa. Lopulta lihaksistosi tottuu siihen kohdistuvaan rasitukseen ja kuormaan.

## Voimaa kasvattavan ohjelman aloittaminen

### Alkuverryttely

Voimaharjoittelun aluksi on tärkeää venytellä ja harjoitella kevyesti 5–10 minuutin ajan. Tämä auttaa kehoa valmistautumaan rasittavampaan harjoitteluun lisäämällä verenkiertoa, nostamalla ruumiinlämpöä ja tuomalla lisää hapetta lihaksiin.

### Harjoittelu

Kaikessa harjoittelussa on muistettava, että pitkään kestävä lihaskipu ei ole toivottavaa ja voi kertoa vamman syntymisestä.

### Loppuverryttely

Venyttelä jokaisen harjoittelukerran lopussa hitaasti 5–10 minuutin ajan. Tee kaikki venytykset asteittain menemällä vain niin pitkälle kuin pystyt. Tämä vaihe auttaa lihaksiasi palautumaan harjoittelun jälkeen.

Jotta kuntoiluohjelma on kokonaisvaltainen, on suositeltavaa, että voimaharjoittelun lisäksi siinä on 2–3 päivänä aerobista harjoittelua.

### Veden juominen

Keho voi toimia asianmukaisesti vain, jos sitä nesteytetään oikein. Jos kuntoilet, nautittavien nesteiden määrä on lisättävä. Tähän on syynä se, että nauttimasi vesi poistuu elimistöstäsi hikoilun kautta, joka viilentää kehoasi harjoittelun aikana. Harjoittelun aikana menettämäsi vesi on korvattava, jotta lihakset palautuvat kunnolla.

### Lepopäivä

Vaikka et sitä haluaisikaan, on tärkeää pitää lepopäivä vähintään kerran viikossa, jotta kehosi saa mahdollisuuden toipua. Lihasten jatkuva harjoittaminen johtaa yliharjoitteluun, joka ei ole hyödyksi pitkällä aikavälillä.

## Puhdistus ja huolto

- Voitele liikkuvat osat säännöllisesti WD-40:llä tai kevyellä öljyllä.
- Tarkasta ja kiristä kaikki osat ennen laitteen käyttöä.
- Laitteen voi puhdistaa kevyesti kostutetulla liinalla ja miedolla, hankaamattomalla puhdistusaineella. ÄLÄ KÄYTÄ liuottimia.
- Tarkasta säännöllisesti, että laite ei ole vahingoittunut tai kulunut.
- Vaihda vialliset osat välittömästi ja/tai pidä laite poissa käytöstä siihen asti kun se on korjattu.
- Tarkastuksen laiminlyönti voi vaikuttaa laitteen turvallisuuteen.

## Viat ja häiriöt

Huolimatta jatkuvasti laadunvarmistuksesta laitteessa voi tapahtua yksittäisen osan aiheuttamia vikoja ja häiriöitä. Useimmissa tapauksissa viallisen osan vaihtaminen on riittävää

- Jos laite ei toimi normaalisti, ota välittömästi yhteys jälleenmyyjään.
- Anna jälleenmyyjälle laitteen malli- ja sarjanumero. Kerro ongelman luonne, käyttöolosuhteet ja ostopäivä.

Muita yhteystietoja ja muunkielisiä käyttöohjeita löytyy sivustoltamme.

## Takuu

### Tunturi-kuntolaitteen omistajan takuu

#### Takuuehdot

Kuluttaja on oikeutettu soveltuviin, kansallisessa kuluttajatuotteiden kauppaa koskevassa lainsäädännössä mainittuihin lakisääteisiin oikeuksiin. Tämä takuu ei rajoita näitä oikeuksia. Ostajan takuu on voimassa vain, jos tuotetta käytetään ympäristössä, jonka Tunturi New Fitness BV on kyseiselle laitteelle hyväksynyt. Kunkin tuotteen sallitut käyttöympäristöt ja huolto-ohjeet on esitetty tuotteen käyttöohjeessa. Käyttöohje on ladattavissa verkkosivustoltamme. <http://manuals.tunturi.com>

#### Rajoitettu takuu

Tunturi New Fitness takaa, että tuotteessa ei esiinny valmistus- tai materiaaliavikoja, kun sitä käytetään ja huolletaan normaalisti, rungon osalta kahteen vuoteen sekä kaikkien muiden osien osalta yhteen vuoteen ostopäivästä lukien. Tämä takuu koskee vain laitteen alkuperäisostajaa. Tunturi New Fitnessin tämän takuun mukainen velvollisuus rajoittuu vaurioituneiden tai viallisten osien vaihtamiseen Tunturi New Fitnessin valinnan mukaan.

Kaikkiin palautuksiin on hankittava ennakolta Tunturi New Fitnessin lupa. Tämä takuu ei kata mitään tuotetta tai tuotevauriota, jonka on aiheuttanut rahtivahinko, väärinkäyttö, virheellinen käyttö, epäasianmukainen tai epätavallinen käyttö, ostajan oma korjaus tai tuote, jota on käytetty kaupallisissa tai vuokraustarkoituksissa, taikka joka johtuu sellaisesta. Tunturi New Fitness ei myönnä mitään muuta takuuta kuin nimenomaisesti edellä esitetyn takuun.

Tunturi New Fitness ei ole missään vastuussa epäsuorista, erityisistä tai välillisistä vahingoista, jotka johtuvat tuotteen käytöstä tai suorituksesta taikka liittyvät siihen, eikä mistään muista vahingoista, jotka liittyvät taloudelliseen tappioon, omaisuuden menettämiseen, tuottojen tai voittojen menettämiseen, nautinnon tai käyttömahdollisuuden menettämiseen, poistokustannuksiin, asennukseen tai muihin välillisiin vahinkoihin tai mihinkään muihin vahinkoihin.

Tässä esitetty takuu korvaa kaikki mahdolliset muut takuut ja hiljaiset takuut myyntikelpoisuudesta tai sopivuudesta tiettyyn tarkoitukseen, ja sen laajuus ja kesto on rajoitettu tässä esitettyihin ehtoihin.

#### Takuu ei vaikuta lakisääteisiin oikeuksiisi.

## Vastuuvapauslauseke

© 2025 Tunturi New Fitness BV  
Kaikki oikeudet pidätetään.

- Tuote ja käyttöopas saattavat muuttua.
- Teknisiä tietoja saatetaan muuttaa ilman eri ilmoitusta.
- Katso käyttöohjeiden uusin versio verkkosivustoltamme.

**TUNTURI**®

**FEEL BETTER EVERY DAY**

**TUNTURI NEW FITNESS B.V.**

Purmerweg 1  
1311 XE Almere  
The Netherlands

P.O. Box 60001  
1320 AA Almere  
The Netherlands

info@tunturi.com  
www.tunturi.com



20241218-W